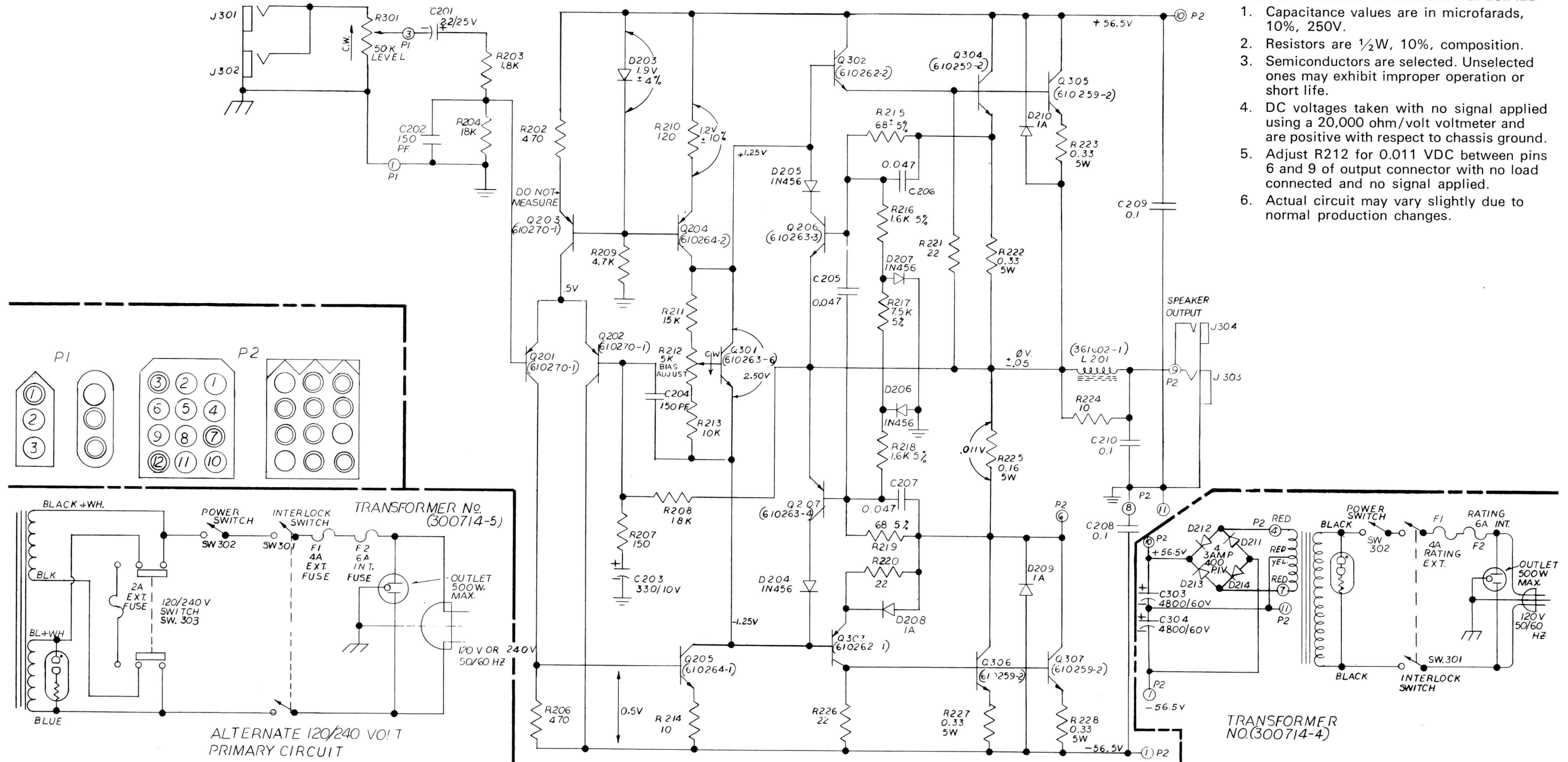


MODEL A120 SCHEMATIC DIAGRAM (REV. B)

NOTES: UNLESS OTHERWISE SPECIFIED

1. Capacitance values are in microfarads, 10%, 250V.
2. Resistors are 1/2W, 10%, composition.
3. Semiconductors are selected. Unselected ones may exhibit improper operation or short life.
4. DC voltages taken with no signal applied using a 20,000 ohm/volt voltmeter and are positive with respect to chassis ground.
5. Adjust R212 for 0.011 VDC between pins 6 and 9 of output connector with no load connected and no signal applied.
6. Actual circuit may vary slightly due to normal production changes.



WARNING

For maximum safety, reliability and performance, all parts must be replaced by those having identical specifications.

Under no circumstances may the original design be modified or altered without permission from the Ampeg Company.