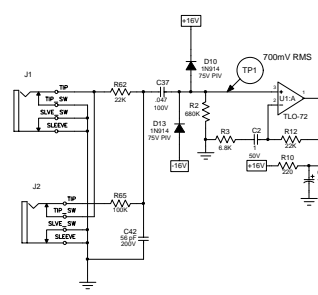
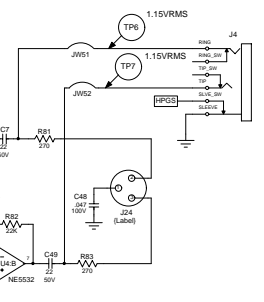
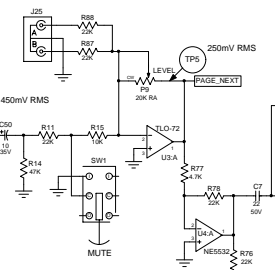
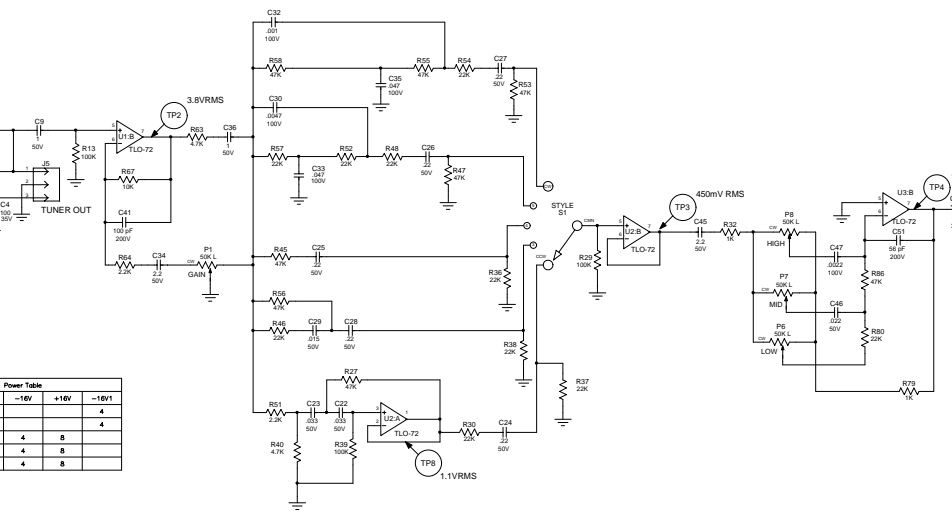


A B C D E F G H

1

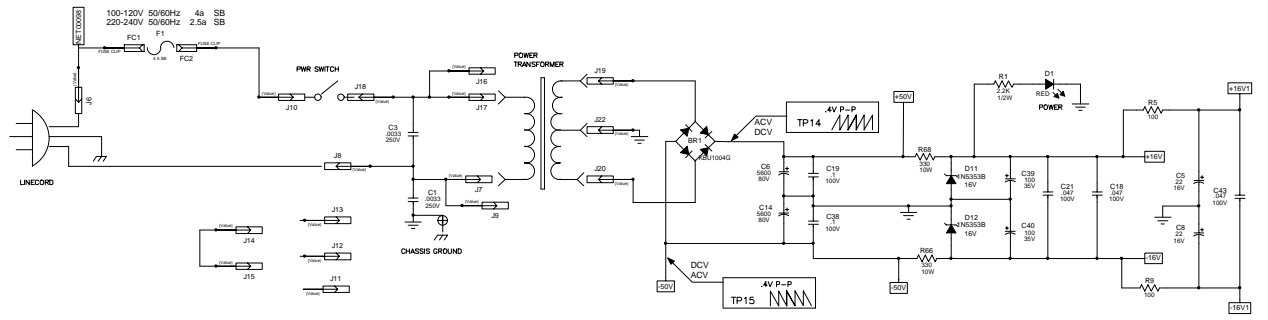


RefDes	+16V1	-16V	+16V	-16V1
U1	8		4	4
U2	8		4	4
U4	4	4	8	4
U5	4	4	8	



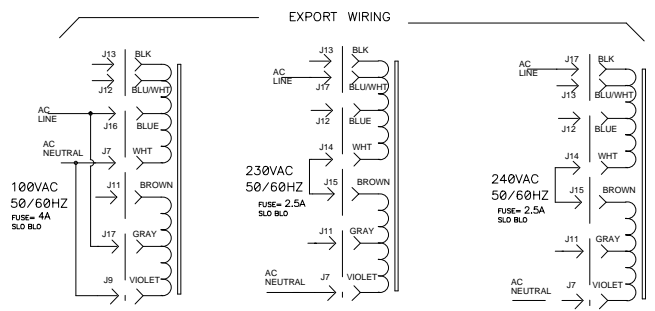
2

3



4

5



ASSY P/N 07-457-01

CAUTION:
THIS SCHEMATIC IS PROVIDED FOR USE BY QUALIFIED PERSONNEL TO AVOID RISK OF ELECTRIC SHOCK. REFER SERVICING TO QUALIFIED SERVICE PERSONNEL. DO NOT PERFORM ANY SERVICING BEYOND THAT EXPLAINED IN THE OPERATING INSTRUCTIONS.

NOTES:
1) CAUTION: SHOCK HAZARD!! THIS UNIT CONTAINS HAZARDOUS VOLTAGE. DISCONNECT POWER AND BE SURE POWER SUPPLY IS DISCHARGED BEFORE TOUCHING INTERNAL PARTS.
2) UNLESS NOTED, RESISTOR VALUES IN OHMS, 1/4W-5% TOL. CAPACITOR VALUES IN MICROFARADS, 50V-10% TOL.
3) VOLTAGES ARE MEASURED WITH 1 MEGOHM OSCILLOSCOPE AND 10 MEGOHM DIGITAL VOLTMETER.

REV	Date	DESCRIPTION	Er(s)/Ecr(s)	Chgd By	Appvd by	Date
0	1-9-03	CONTROL ISSUE				

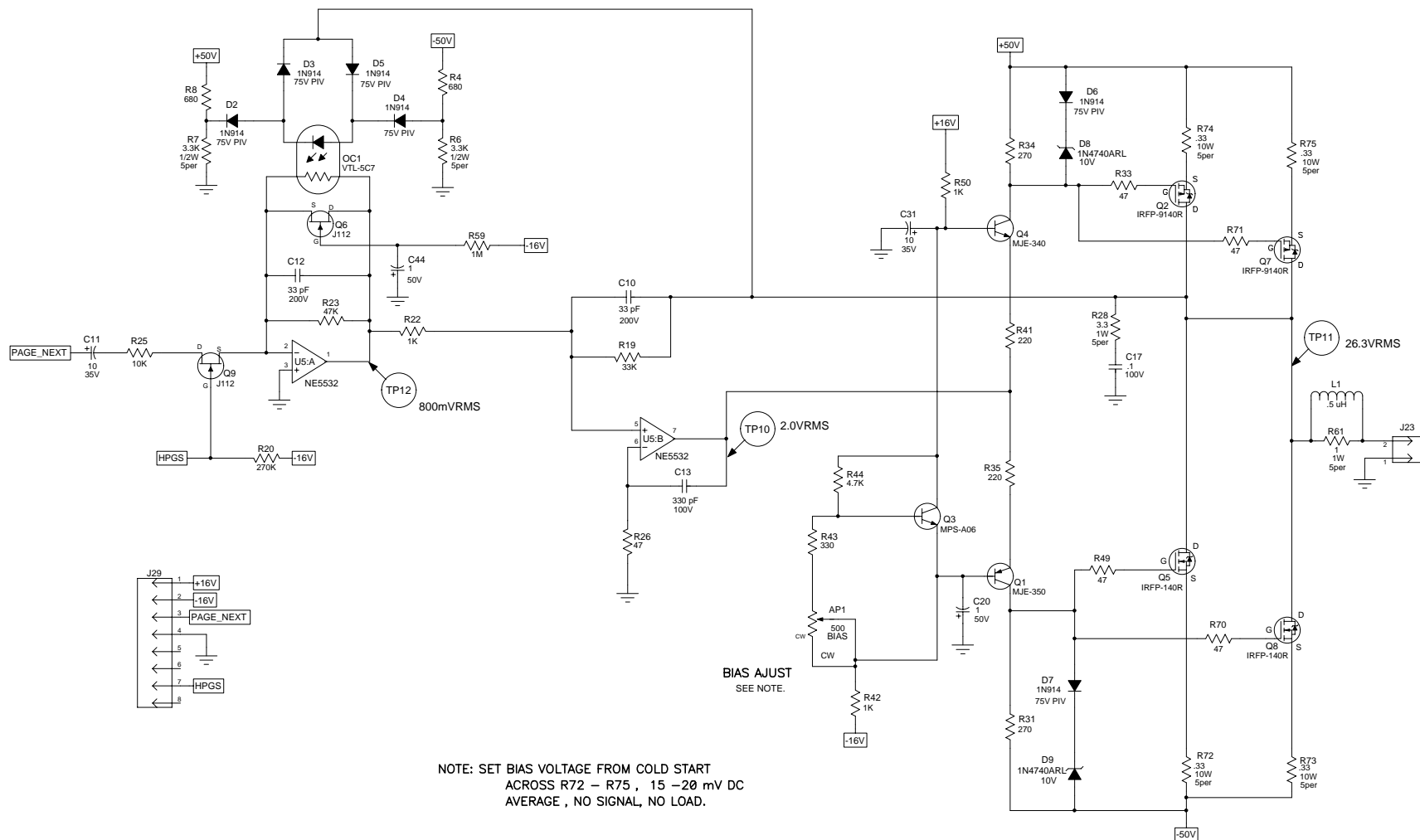
THE INFORMATION CONTAINED ON THIS DRAWING IS PROPRIETARY TO ST. LOUIS MUSIC, INC.

Signatures: _____ Date: _____
 Drawn: RLB 4/18/00 11880 Borman Drive, St. Louis, MO 63146
 Checked: _____ First Used On: BA210/115HP
 Released: _____

Plot Date: Thu Jan 09, 2003 Drawing Size: D Drawing Title: SCHEMATIC - BASS AMP
 Plot Time: 08:13:03 Drawing Type: Schematic
 Tolerance: _____ Class Code: NONE Drawing Number: 07S457-XX
 Sheet 1 of 2

6

A B C D E F G H



NOTE: SET BIAS VOLTAGE FROM COLD START
ACROSS R72 - R75, 15 - 20 mV DC
AVERAGE, NO SIGNAL, NO LOAD.

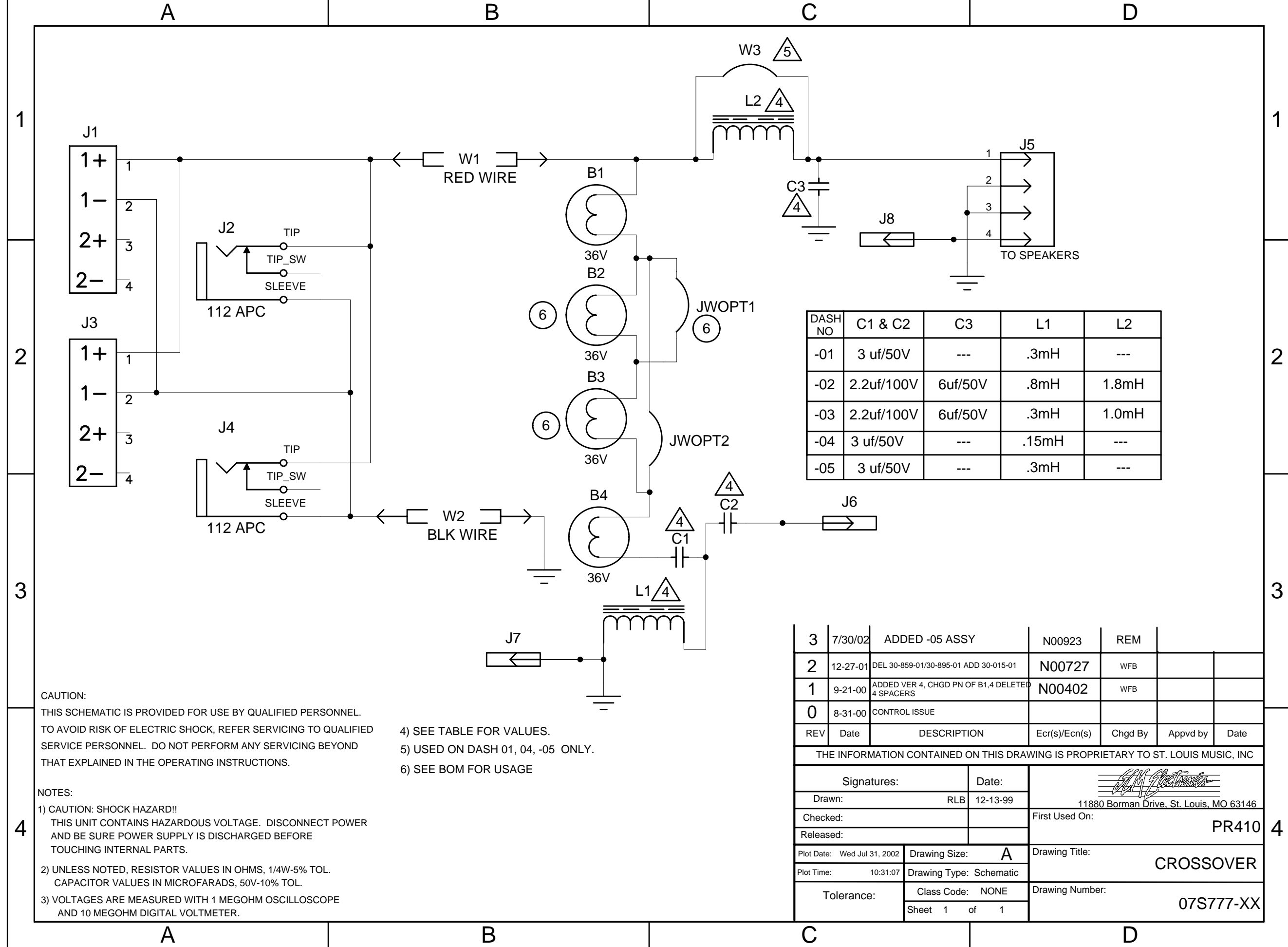
BIAS AJUST
SEE NOTE.

TEST POINT CONDITIONS NOTE :
1 KHz INPUT SINEWAVE 170mV @ 0 dB
INPUT JACK. 120VAC LINE, VOLUME & LEVEL @ *10*
TONES @ *5*, DC VOLTAGES WITH 0 SIGNAL APPLIED.

CAUTION:
THIS SCHEMATIC IS PROVIDED FOR USE BY QUALIFIED PERSONNEL.
TO AVOID RISK OF ELECTRIC SHOCK, REFER SERVICING TO QUALIFIED
SERVICE PERSONNEL. DO NOT PERFORM ANY SERVICING BEYOND
THAT EXPLAINED IN THE OPERATING INSTRUCTIONS.

- NOTES:
1) CAUTION: SHOCK HAZARD!!
THIS UNIT CONTAINS HAZARDOUS VOLTAGE. DISCONNECT POWER
AND BE SURE POWER SUPPLY IS DISCHARGED BEFORE
TOUCHING INTERNAL PARTS.
2) UNLESS NOTED, RESISTOR VALUES IN OHMS, 1/4W-5% TOL.
CAPACITOR VALUES IN MICROFARADS, 50V-10% TOL.
3) VOLTAGES ARE MEASURED WITH 1 MEGOHM OSCILLOSCOPE
AND 10 MEGOHM DIGITAL VOLTMETER.

0	1-9-03	CONTROL ISSUE				
REV	Date	DESCRIPTION	Ecr(s)/Eon(s)	Chgd By	Appvd by	Date
THE INFORMATION CONTAINED ON THIS DRAWING IS PROPRIETARY TO ST. LOUIS MUSIC, INC.						
Signatures:			Date:		 11880 Borman Drive, St. Louis, MO 63146	
Drawn: RLB			4/18/00			
Checked:			Released:		First Used On:	
Released:					BA210/115HP	
Plot Date: Thu Jan 09, 2003		Drawing Size: C		Drawing Title:		
Plot Time: 08:13:04		Drawing Type: Schematic		SCHEMATIC -BASS AMP		
Tolerance:			Class Code: NONE		Drawing Number:	
			Sheet 2 of 2		07S457-XX	



DASH NO	C1 & C2	C3	L1	L2
-01	3 uf/50V	---	.3mH	---
-02	2.2uf/100V	6uf/50V	.8mH	1.8mH
-03	2.2uf/100V	6uf/50V	.3mH	1.0mH
-04	3 uf/50V	---	.15mH	---
-05	3 uf/50V	---	.3mH	---

REV	Date	DESCRIPTION	Ecr(s)/Ecn(s)	Chgd By	Appvd by	Date
3	7/30/02	ADDED -05 ASSY	N00923	REM		
2	12-27-01	DEL 30-859-01/30-895-01 ADD 30-015-01	N00727	WFB		
1	9-21-00	ADDED VER 4, CHGD PN OF B1,4 DELETED 4 SPACERS	N00402	WFB		
0	8-31-00	CONTROL ISSUE				

CAUTION:
THIS SCHEMATIC IS PROVIDED FOR USE BY QUALIFIED PERSONNEL.
TO AVOID RISK OF ELECTRIC SHOCK, REFER SERVICING TO QUALIFIED
SERVICE PERSONNEL. DO NOT PERFORM ANY SERVICING BEYOND
THAT EXPLAINED IN THE OPERATING INSTRUCTIONS.

NOTES:
1) CAUTION: SHOCK HAZARD!!
THIS UNIT CONTAINS HAZARDOUS VOLTAGE. DISCONNECT POWER
AND BE SURE POWER SUPPLY IS DISCHARGED BEFORE
TOUCHING INTERNAL PARTS.
2) UNLESS NOTED, RESISTOR VALUES IN OHMS, 1/4W-5% TOL.
CAPACITOR VALUES IN MICROFARADS, 50V-10% TOL.
3) VOLTAGES ARE MEASURED WITH 1 MEGOHM OSCILLOSCOPE
AND 10 MEGOHM DIGITAL VOLTMETER.

4) SEE TABLE FOR VALUES.
5) USED ON DASH 01, 04, -05 ONLY.
6) SEE BOM FOR USAGE

THE INFORMATION CONTAINED ON THIS DRAWING IS PROPRIETARY TO ST. LOUIS MUSIC, INC

Signatures: _____ Date: _____
 Drawn: RLB 12-13-99
 Checked: _____
 Released: _____
 Plot Date: Wed Jul 31, 2002 Drawing Size: A Drawing Title: CROSSOVER
 Plot Time: 10:31:07 Drawing Type: Schematic
 Tolerance: _____ Class Code: NONE Drawing Number: 07S777-XX
 Sheet 1 of 1

11880 Borman Drive, St. Louis, MO 63146
 First Used On: PR410