


TP	NO SIGNAL	40VRMS OUT @ 8 OHMS	LIMITING @ 8 OHMS	WAVEFORM
13	VARIABLES W/TEMP	VARIABLES W/TEMP	VARIABLES W/TEMP	—
14	61VAC	60VAC	60VAC	~
15	61VAC	60VAC	60VAC	~
16	+14VDC	-4.6VDC	-4.6VDC	—
17	+14.4VDC	+14.4VDC	+14.4VDC	—
18	20VAC	19VAC	19VAC	~
19	20VAC	19VAC	19VAC	~
20	+82VAC	+76.3VAC	+76.3VAC	~
21	+83VAC	+76VAC	+76VAC	~
22	-83VAC	-76VAC	-76VAC	~
23	-82VAC	-76.3VAC	-76.3VAC	~
24	+6VDC	+5.73VDC	+5.73VDC	—
25	+14.3VDC	+14.3VDC	+14.3VDC	—
26	+15VDC	+15VDC	+15VDC	—
27	-15VDC	-15VDC	-15VDC	—

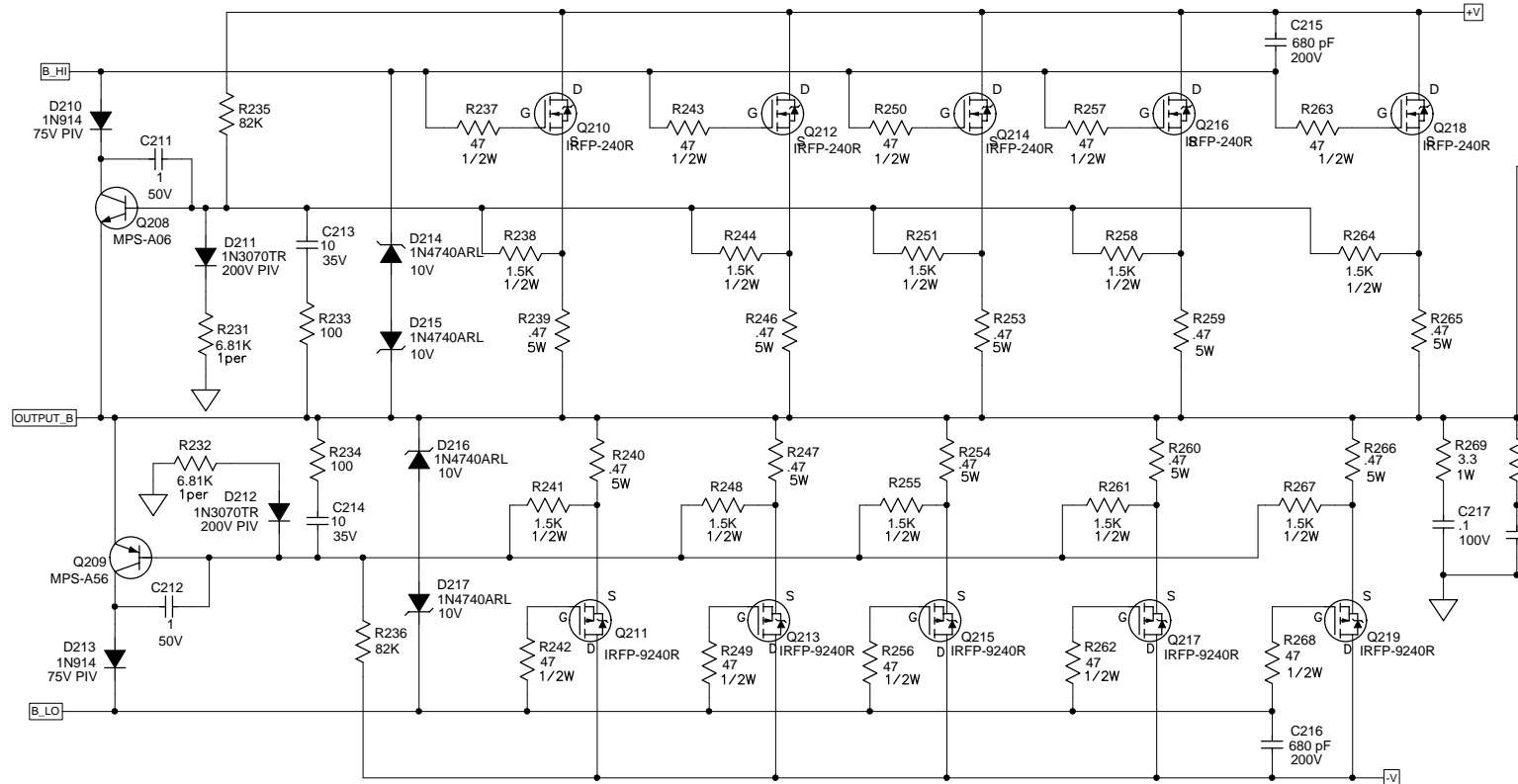
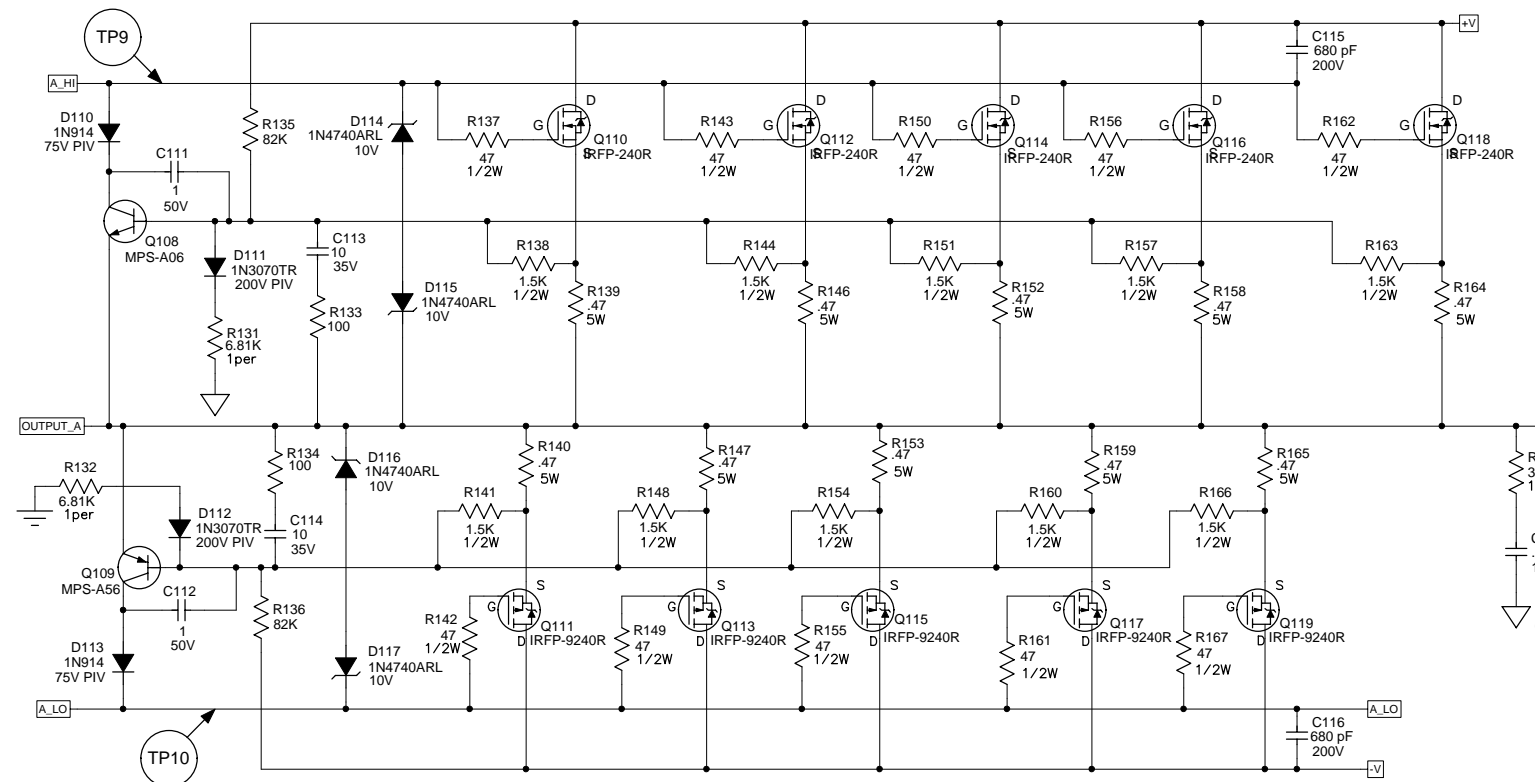
TP	NO SIGNAL	40VRMS OUT @ 8 OHMS	LIMITING @ 8 OHMS	WAVEFORM
1	—	.45Vrms	.53Vrms	~
2	—	.45Vrms	.53Vrms	~
3	+/- 20mVDC	1.5V	1.5V	~
4	+/- 1VDC	2.6VDC	2.6VDC	~
5	0 VDC NORMAL	+15VDC LIMIT DEFEAT		
6	+5VDC	+4.82VDC	+4.82VDC	—
7	-5VDC	-5.12VDC	-5.12VDC	—
8	0V	+43.6mVDC	+74mVDC	~

P1, P2 FULLY CLOCKWISE, 1KHz INPUT.

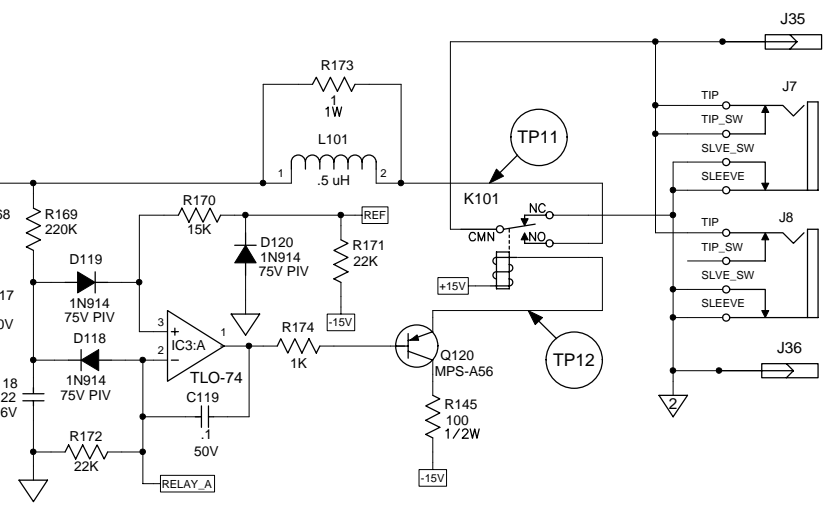
CAUTION:
THIS SCHEMATIC IS PROVIDED FOR USE BY QUALIFIED PERSONNEL. TO AVOID RISK OF ELECTRIC SHOCK, REFER SERVICING TO QUALIFIED SERVICE PERSONNEL. DO NOT PERFORM ANY SERVICING BEYOND THAT EXPLAINED IN THE OPERATING INSTRUCTIONS.

NOTES:
1) CAUTION: SHOCK HAZARD!! THIS UNIT CONTAINS HAZARDOUS VOLTAGE. DISCONNECT POWER AND BE SURE POWER SUPPLY IS DISCHARGED BEFORE TOUCHING INTERNAL PARTS.
2) UNLESS NOTED, RESISTOR VALUES IN OHMS, 1/4W-5% TOL. CAPACITOR VALUES IN MICROFARADS, 50V-10% TOL.
3) VOLTAGES ARE MEASURED WITH 1 MEGOHM OSCILLOSCOPE AND 10 MEGOHM DIGITAL VOLTMETER.

0	9/12/03	CONTROL ISSUE				
A	7/01/03	INITIAL ISSUE				
REV	Date	DESCRIPTION	Ecr(s)/Ecn(s)	Chgd By	Appvd by	Date
THE INFORMATION CONTAINED ON THIS DRAWING IS PROPRIETARY TO ST. LOUIS MUSIC, INC						
Signatures:		Date:		 11880 Borman Drive, St. Louis, MO 63146		
Drawn: REM		03/16/01		First Used On:		
Checked:						
Released:						
Plot Date: Fri Sep 12, 2003		Drawing Size: C		Drawing Title: SCHEMATIC- BASS PWRAMP		
Plot Time: 09:09:26		Drawing Type: Schematic		Drawing Number: 07S468		
Tolerance:		Class Code: NONE		Sheet 1 of 3		



TP	NO SIGNAL	40VRMS OUT @ 8 OHMS	LIMITING @ 8 OHMS	WAVEFORM
9	+3.6VDC	40Vrms	45Vrms	
10	-3.5VDC	40Vrms	45Vrms	
11	7.2mVDC	40Vrms	45Vrms	
12	-12 VDC NORMAL		+15VDC FAULT	

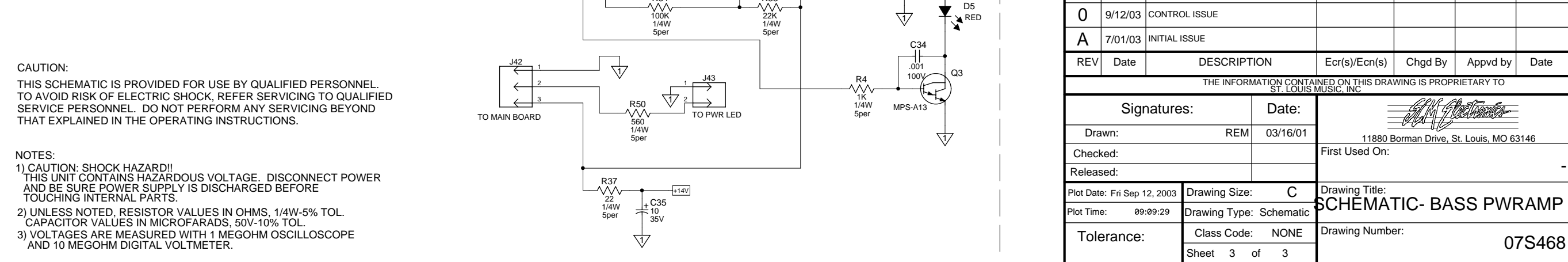
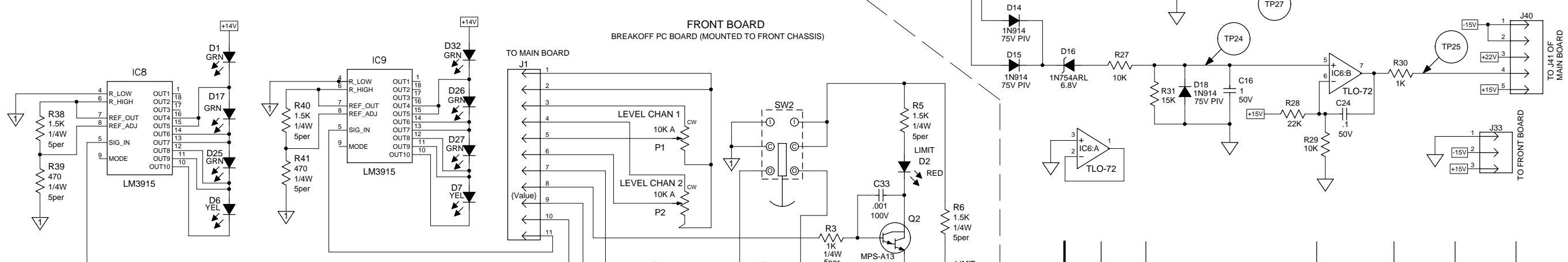
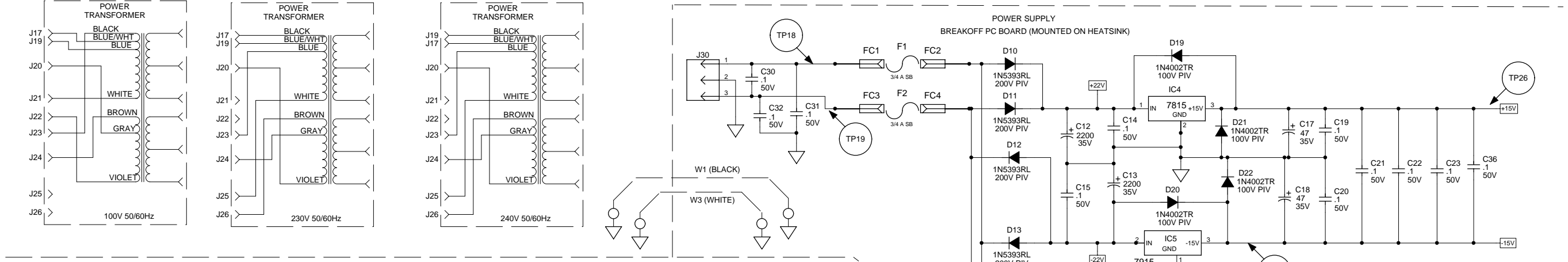
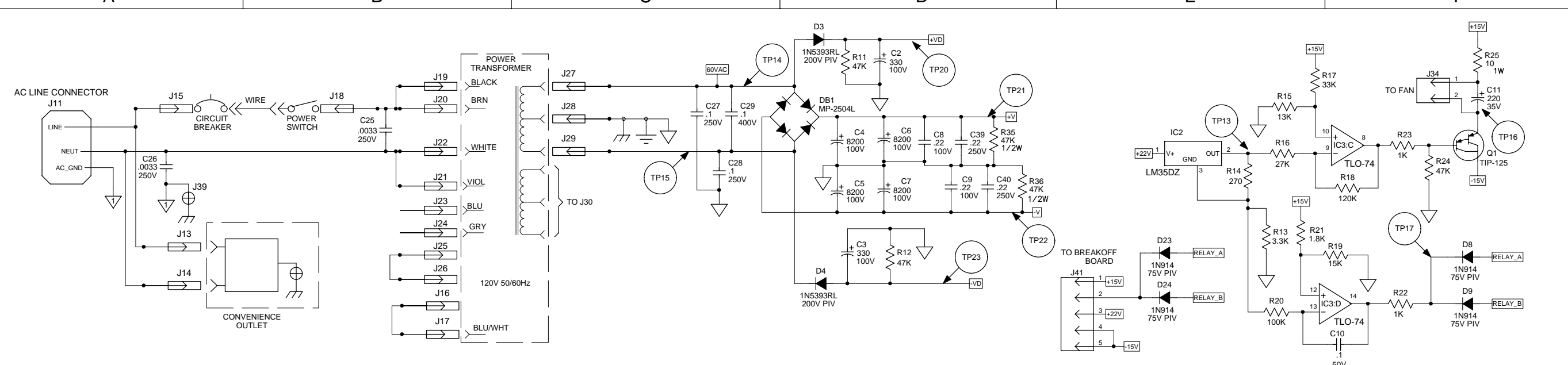


CAUTION:
THIS SCHEMATIC IS PROVIDED FOR USE BY QUALIFIED PERSONNEL.
TO AVOID RISK OF ELECTRIC SHOCK, REFER SERVICING TO QUALIFIED
SERVICE PERSONNEL. DO NOT PERFORM ANY SERVICING BEYOND
THAT EXPLAINED IN THE OPERATING INSTRUCTIONS.

BIAS ADJUSTMENT: WITH NO SIGNAL AND NO LOAD
ADJUST AP101 TO OBTAIN 25 ± 5 mV ACROSS R139, R140
R146, R147, R152, R153, R158, R159, R164, R165.
ADJUST AP201 TO OBTAIN 25 ± 5 mV ACROSS R239, R240
R246, R247, R252, R253, R258, R259, R264, R265.

- NOTES:
1) CAUTION: SHOCK HAZARD!!
THIS UNIT CONTAINS HAZARDOUS VOLTAGE. DISCONNECT POWER
AND BE SURE POWER SUPPLY IS DISCHARGED BEFORE
TOUCHING INTERNAL PARTS.
2) UNLESS NOTED, RESISTOR VALUES IN OHMS, 1/4W-5% TOL.
CAPACITOR VALUES IN MICROFARADS, 50V-10% TOL.
3) VOLTAGES ARE MEASURED WITH 1 MEGOHM OSCILLOSCOPE
AND 10 MEGOHM DIGITAL VOLTMETER.

0	9/12/03	CONTROL ISSUE				
A	7/01/03	INITIAL ISSUE				
REV	Date	DESCRIPTION	Ecr(s)/Ecn(s)	Chgd By	Appvd by	Date
THE INFORMATION CONTAINED ON THIS DRAWING IS PROPRIETARY TO ST. LOUIS MUSIC, INC.						
Signatures:			Date:		 11880 Borman Drive, St. Louis, MO 63146 First Used On:	
Drawn: REM		03/16/01				
Checked:						
Released:				Drawing Title:		
Plot Date: Fri Sep 12, 2003		Drawing Size: C		SCHEMATIC- BASS PWRAMP		
Plot Time: 09:09:28		Drawing Type: Schematic		Drawing Number:		
Tolerance:		Class Code: NONE		07S468		
		Sheet 2 of 3				



CAUTION:
 THIS SCHEMATIC IS PROVIDED FOR USE BY QUALIFIED PERSONNEL. TO AVOID RISK OF ELECTRIC SHOCK, REFER SERVICING TO QUALIFIED SERVICE PERSONNEL. DO NOT PERFORM ANY SERVICING BEYOND THAT EXPLAINED IN THE OPERATING INSTRUCTIONS.

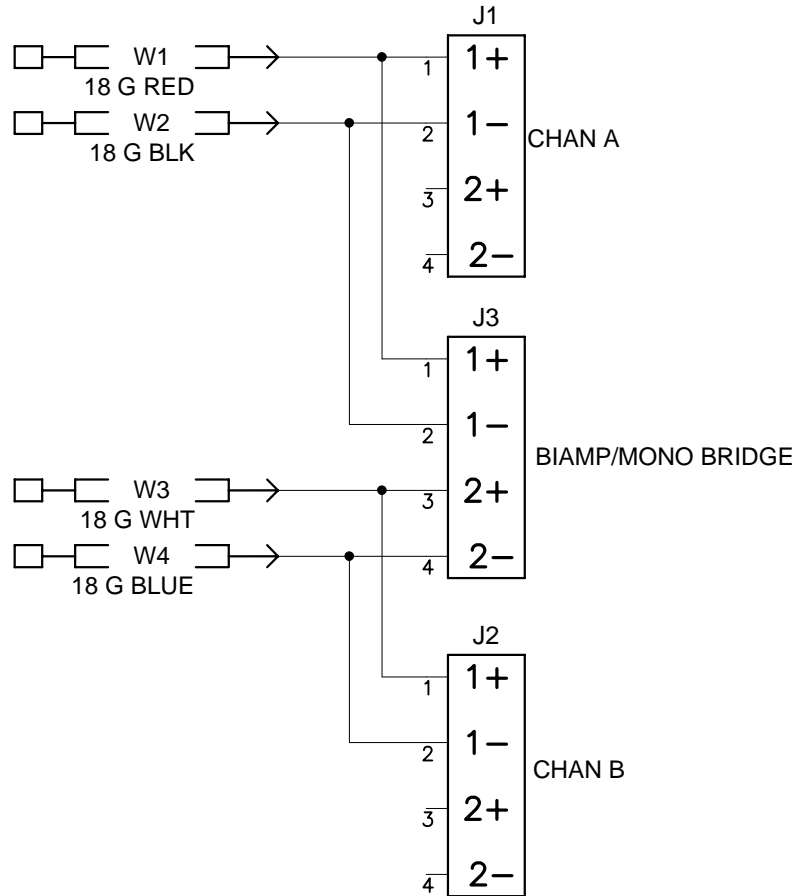
NOTES:
 1) CAUTION: SHOCK HAZARD!! THIS UNIT CONTAINS HAZARDOUS VOLTAGE. DISCONNECT POWER AND BE SURE POWER SUPPLY IS DISCHARGED BEFORE TOUCHING INTERNAL PARTS.
 2) UNLESS NOTED, RESISTOR VALUES IN OHMS, 1/4W-5% TOL. CAPACITOR VALUES IN MICROFARADS, 50V-10% TOL.
 3) VOLTAGES ARE MEASURED WITH 1 MEGOHM OSCILLOSCOPE AND 10 MEGOHM DIGITAL VOLTMETER.

A

B

C

D




THIS DRAWING SUPERSEDES
DRAWING 07H762-01

CAUTION:

THIS SCHEMATIC IS PROVIDED FOR USE BY QUALIFIED PERSONNEL.
TO AVOID RISK OF ELECTRIC SHOCK, REFER SERVICING TO QUALIFIED
SERVICE PERSONNEL. DO NOT PERFORM ANY SERVICING BEYOND
THAT EXPLAINED IN THE OPERATING INSTRUCTIONS.

NOTES:

- CAUTION: SHOCK HAZARD!!
THIS UNIT CONTAINS HAZARDOUS VOLTAGE. DISCONNECT POWER
AND BE SURE POWER SUPPLY IS DISCHARGED BEFORE
TOUCHING INTERNAL PARTS.
- UNLESS NOTED, RESISTOR VALUES IN OHMS, 1/4W-5% TOL.
CAPACITOR VALUES IN MICROFARADS, 50V-10% TOL.
- VOLTAGES ARE MEASURED WITH 1 MEGOHM OSCILLOSCOPE
AND 10 MEGOHM DIGITAL VOLTMETER.

REV	Date	DESCRIPTION	Ecr(s)/Ecn(s)	Chgd By	Appvd by	Date
0	3-14-05	CONTROL ISSUE CREATED PCAD2000 FILE FROM AUTOCAD				
THE INFORMATION CONTAINED ON THIS DRAWING IS PROPRIETARY TO ST. LOUIS MUSIC, INC						
Signatures:		Date:	 1901 Congressional, St. Louis, MO 63146			
Drawn: RLB		3-14-05				
Checked:			First Used On:			
Released:						
Plot Date: Mon Mar 14, 2005		Drawing Size: A	Drawing Title: SPEAKON JACK			
Plot Time: 13:27:11		Drawing Type: Schematic	Drawing Number: 07S762			
Tolerance:		Class Code: NONE	Sheet 1 of 1			

A

B

C

D