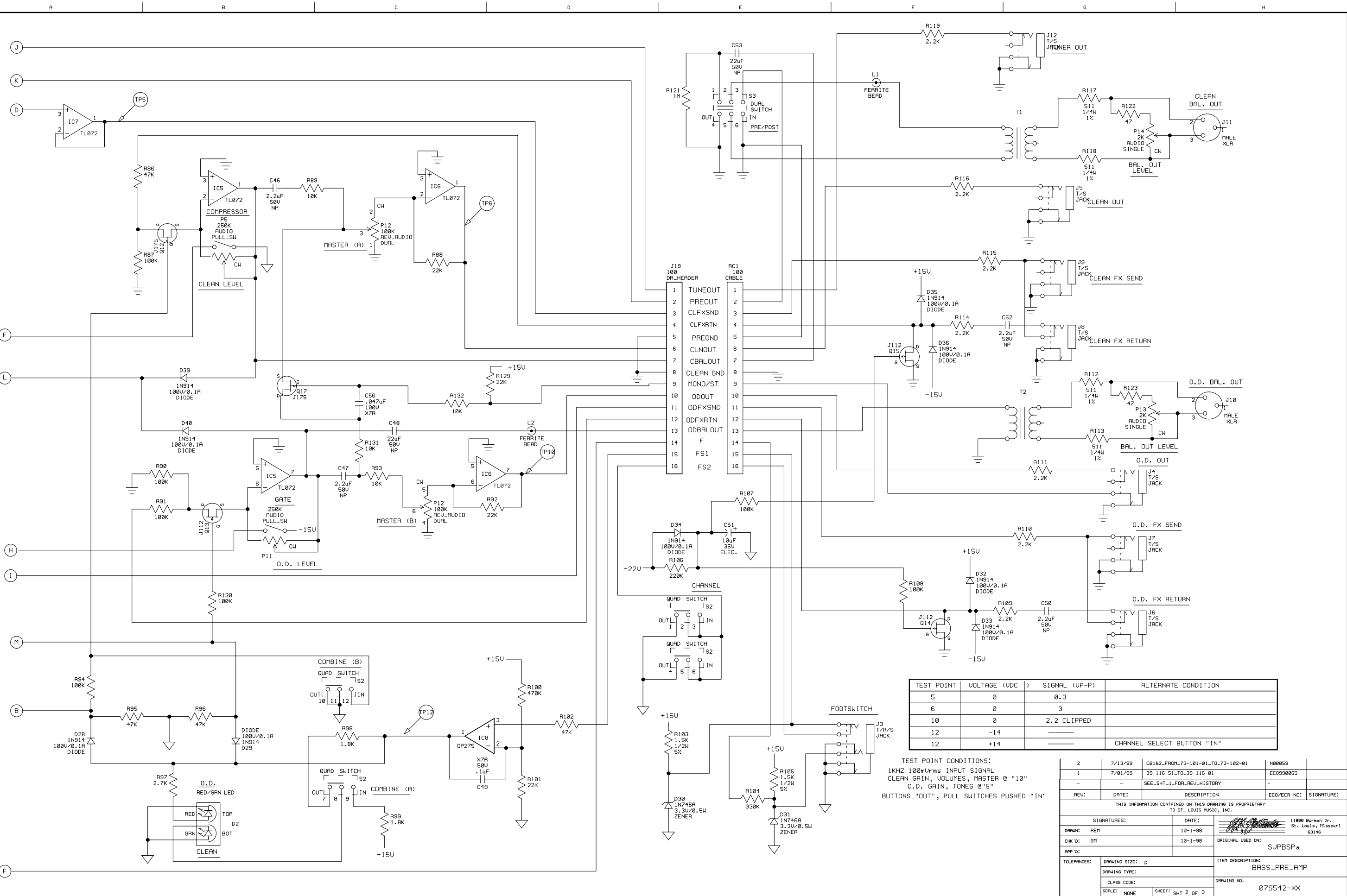


TEST POINT	VOLTAGE (VDC)	SIGNAL (UP-P)	ALTERNATE CONDITION
1	0	14	
1	0	2.5	PAD BUTTON "IN"
2	0	1	
3	1.2		
3	2.1		COMPRESSOR SWITCH PULLED "OUT"
4	12		
4	0		MUTE BUTTON "IN"


TEST POINT CONDITIONS:
 1KHZ 100mVrms INPUT SIGNAL
 CLEAN GAIN, VOLUMES, MASTER @ "10"
 O.D. GAIN, TONES @ "5"
 BUTTONS "OUT", PULL SWITCHES PUSHED "IN"

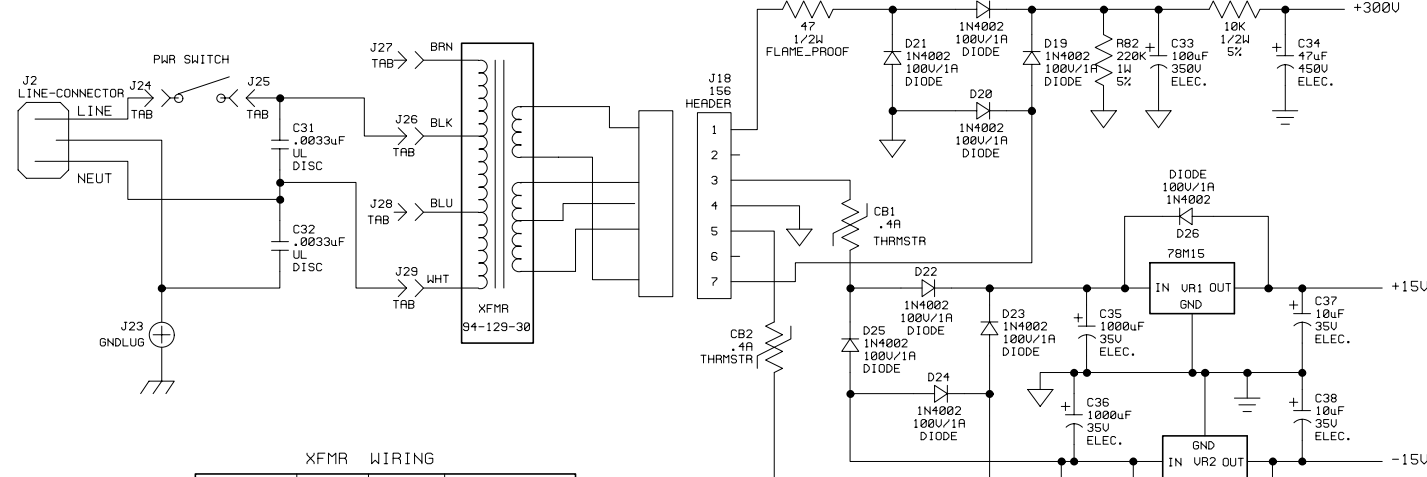
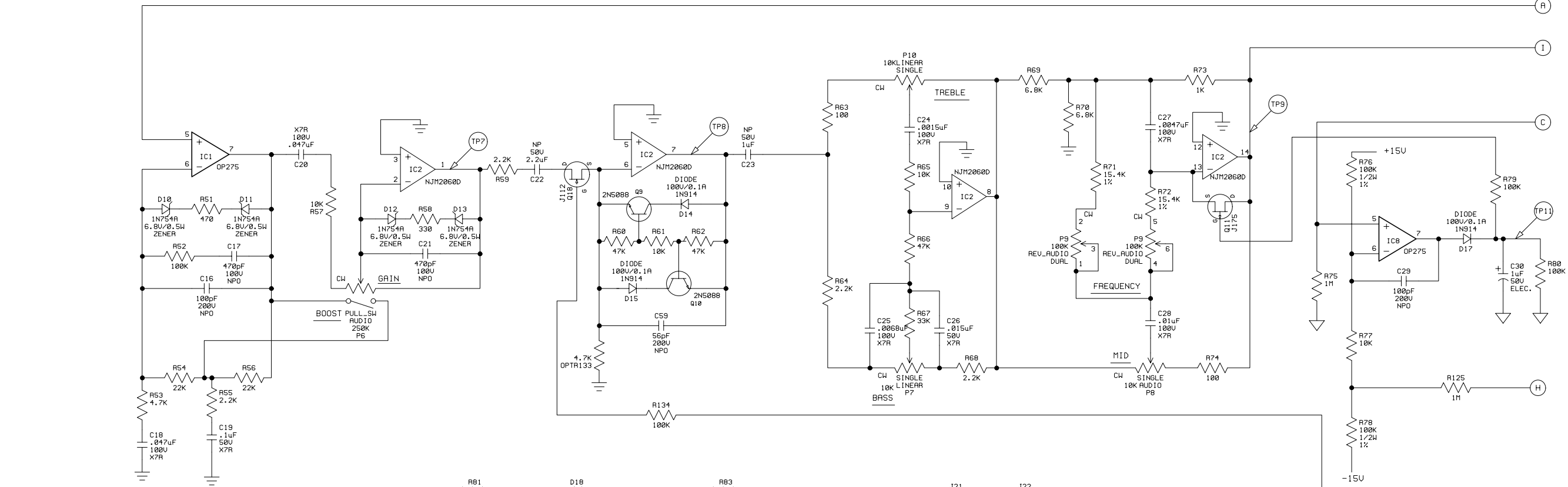
2	7/13/99	CB1A2_FROM_73-101-01_TO_73-102-01	N00059
1	7/01/99	39-116-51_TO_39-116-01	EC0390065
0	-	ORIGINAL ISSUE	-
REV:	DATE:	DESCRIPTION	ECO/ECA NO: SIGNATURE:
THIS INFORMATION CONTAINED ON THIS DRAWING IS PROPRIETARY TO ST. LOUIS MUSIC, INC.			
SIGNATURES:		DATE:	11880 Berman Dr. St. Louis, Missouri 63146
DRAWN: REM	10-1-98		
CHK'D: -	-	ORIGINAL USED ON:	SUPBSPa
APP'D:		ITEM DESCRIPTION:	BASS_PRE_AMP
TOLERANCES:	DRAWING SIZE: D	CLASS CODE:	DRAWING NO.
	DRAWING TYPE:		075542-XX
SCALE: NONE	SHEET: SHT 1 OF 3		



TEST POINT	VOLTAGE (VDC)	SIGNAL (UP-P)	ALTERNATE CONDITION
5	0	0.3	
6	0	3	
10	0	2.2 CLIPPED	
12	-14		
12	+14		CHANNEL SELECT BUTTON "IN"

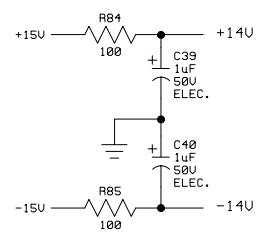
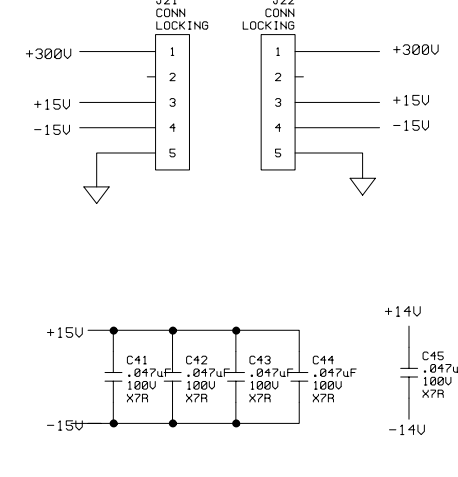
TEST POINT CONDITIONS:
 1KHZ 100mVrms INPUT SIGNAL
 CLEAN GAIN, VOLUMES, MASTER @ "10"
 O.D. GAIN, TONES @ "5"
 BUTTONS "OUT", PULL SWITCHES PUSHED "IN"

2	7/13/99	CB1&2_FROM_73-101-01_TO_73-102-01	N00059
1	7/01/99	39-116-51_TO_39-116-01	EC0990065
-	-	SEE_SHT_1_FOR_REV_HISTORY	-
REV:	DATE:	DESCRIPTION	ECO/ECR NO: SIGNATURE:
THIS INFORMATION CONTAINED ON THIS DRAWING IS PROPRIETARY TO ST. LOUIS MUSIC, INC.			
SIGNATURES:		DATE:	11800 Borman Dr. St. Louis, Missouri 63146
DRAWN: REM	10-1-98	 ORIGINAL USED ON: SUPBSP a	
CHK'D: GM	10-1-98		
APP'D:		DRAWING SIZE: D	ITEM DESCRIPTION: BASS_PRE_AMP
TOLEANCES:		DRAWING TYPE:	DRAWING NO. 07SS42-XX
		CLASS CODE:	
		SCALE: NONE	SHEET: SHT 2 OF 3



XFMR WIRING

AC TAB	100V	120V	220V-240V
J26	BLU	BLK	BRN
J27	BRN	BRN	BLK
J28	BLK	BLU	BLU
J29	WHT	WHT	WHT



IC VOLTAGE CHART

IC	+VOLTAGE	- VOLTAGE
IC1	PIN 8 = +14V	PIN4 = -14V
IC2	PIN 4 = +15V	PIN11 = -15V
IC3-8	PIN 8 = +15V	PIN4 = -15V

TEST POINT	VOLTAGE (VDC)	SIGNAL (UP-P)	ALTERNATE CONDITION
7	0	3	
7	0	3 CLIPPED	BOOST SWITCH PULLED "OUT"
8	0	2.6 CLIPPED	
9	0	0.4 CLIPPED	
11	14		
11	0		GATE SWITCH PULLED "OUT" W/NO SIGNAL

CAUTION:
THIS SCHEMATIC IS PROVIDED FOR USE BY QUALIFIED PERSONNEL. TO AVOID RISK OF ELECTRIC SHOCK, REFER SERVICING TO QUALIFIED SERVICE PERSONNEL. DO NOT PERFORM ANY SERVICING BEYOND THAT EXPLAINED IN THE OPERATING INSTRUCTIONS.

- NOTES:**
- 1) CAUTION: SHOCK HAZARD!! THIS UNIT CONTAINS HAZARDOUS VOLTAGE. DISCONNECT POWER AND BE SURE POWER SUPPLY IS DISCHARGED BEFORE TOUCHING INTERNAL PARTS.
 - 2) UNLESS NOTED, RESISTOR VALUES IN OHMS, 1/4W-5% TOL. CAPACITOR VALUES IN MICROFARADS, 50V-10% TOL.
 - 3) VOLTAGES ARE MEASURED WITH 1 MEGOHM OSCILLOSCOPE AND 10 MEGOHM DIGITAL VOLTMETER.
 - 4) SIGNAL DIRTY CHASSIS

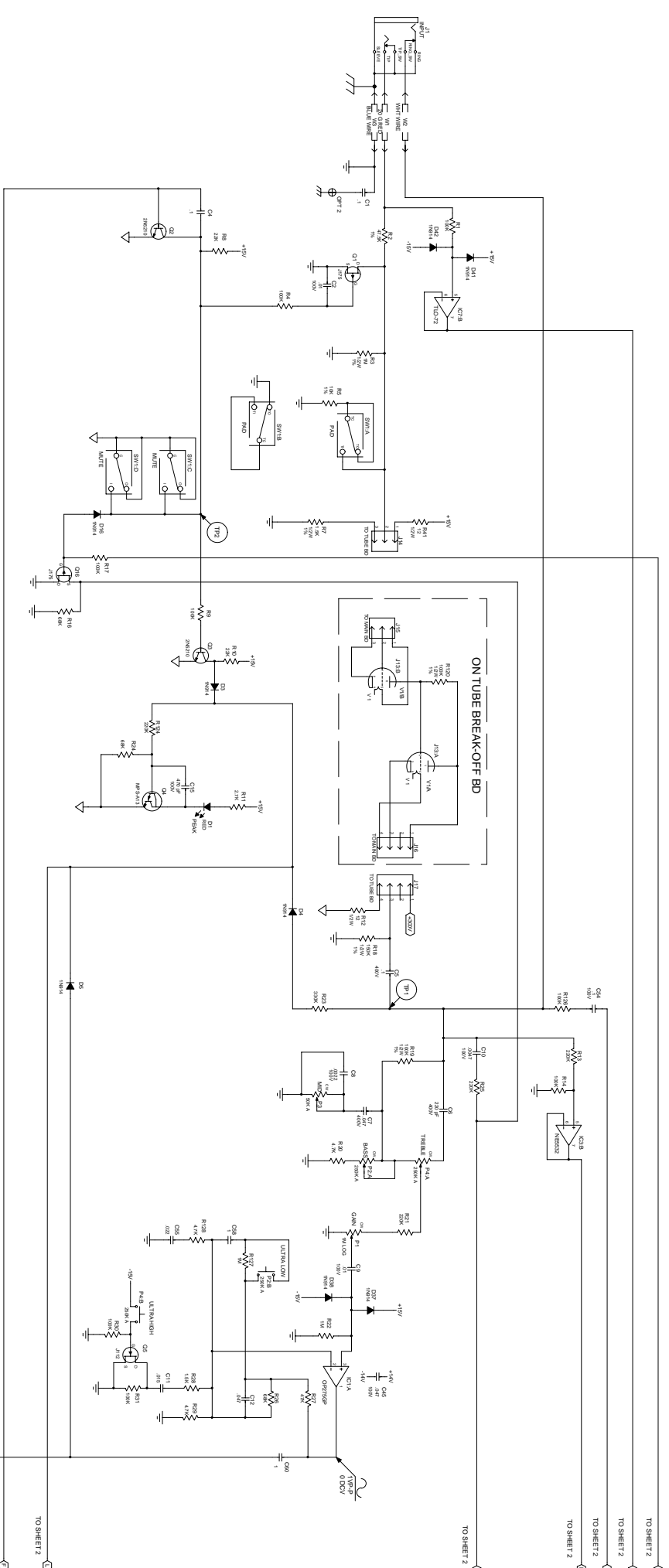
TEST POINT CONDITIONS:
1KHZ 100mVrms INPUT SIGNAL
CLEAN GAIN, VOLUMES, MASTER @ "10"
O.D. GAIN, TONES @ "5"
BUTTONS "OUT", PULL SWITCHES PUSHED "IN"

REV	DATE	DESCRIPTION	ECO/ECR NO	SIGNATURE
2	7/13/99	CB1X2_FROM_73-101-01_TO_73-102-01	N80059	
1	7/81/99	CONTROL_ISSUE	EC0990065	
-	-	SEE_SHT_1_FOR_REV_HISTORY	-	

THIS INFORMATION CONTAINED ON THIS DRAWING IS PROPRIETARY TO ST. LOUIS MUSIC, INC.

SIGNATURES:	DATE:	11800 Borman Dr. St. Louis, Missouri 63146
DRAWN: REM	10-1-98	
CHK'D: -	-	ORIGINAL USED ON: SUPBSP a
APP'D:		

TOLERANCES:	DRAWING SIZE:	ITEM DESCRIPTION:
	D	BASS_PRE_AMP
		DRAWING NO. 075542-XX



- TEST POINT CONDITIONS
1. 14Hz-1000Hz/INT SIGNAL
 2. CLEAN GAIN, VOLUME MASTER @ "10"
 3. OLD GAIN, TONES @ "5"
 4. BUTTONS "OUT", "PULL SWITCHES" "IN"

TEST POINTS

TP	AC VOLTAGE	DC VOLTAGE	WAVEFORM	CONDITIONS
1	14V P-P	0V		PULL BUTTON "IN"
2	---	12V		MUTE BUTTON "IN"
3	---	2.1V		COMP SW PULLED "OUT"

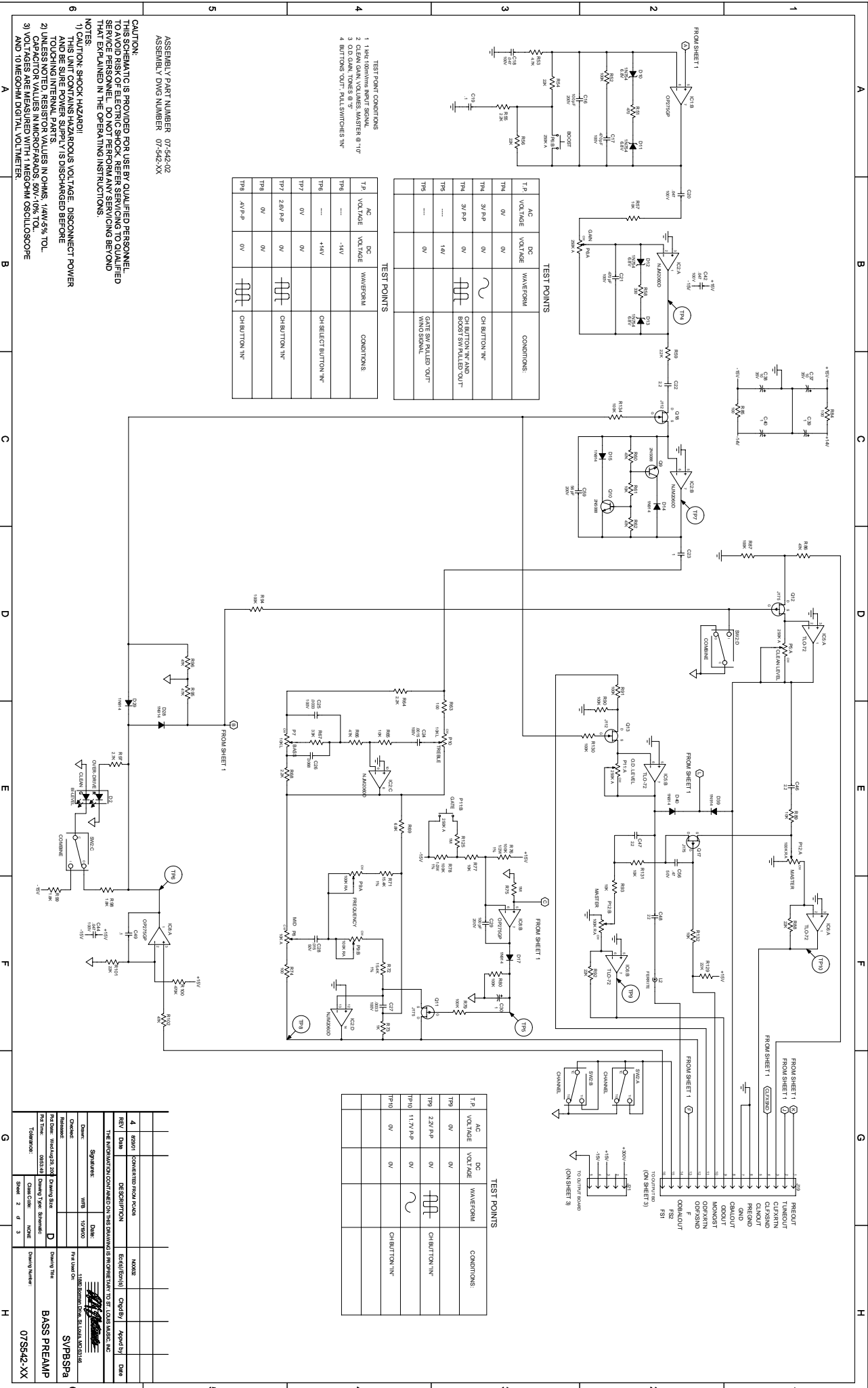
CAUTION: THIS SCHEMATIC IS PROVIDED FOR USE BY QUALIFIED PERSONNEL. TO AVOID RISK OF ELECTRIC SHOCK, REFER SERVICING TO QUALIFIED SERVICE PERSONNEL. DO NOT PERFORM ANY SERVICING BEYOND THAT EXPLAINED IN THE OPERATING INSTRUCTIONS.

NOTES:

- 1) CAUTION: SHOCK HAZARD!! DISCONNECT POWER AND BE SURE POWER SUPPLY IS DISCHARGED BEFORE TOUCHING INTERNAL PARTS.
- 2) UNLESS NOTED, RESISTOR VALUES IN OHMS, 1/4W, 5% TOL.
- 3) CAPACITOR VALUES IN MICROFARADS, 50V, 10% TOL.
- 4) UNLESS NOTED, CAPACITOR VALUES IN MEGOHMS, OSCILLOSCOPE AND 10 MEGOHM DIGITAL VOLTMETER.

ASSEMBLY PART NUMBER 075542-02
 ASSEMBLY DRAW NUMBER 075542-XX

4	06/01	COMPRESSOR PRODUCTIONS	100000	Approved by	Date	
REV	Date	DESCRIPTION	Eq@/fcm@j	Cng@/j	Approved by	Date
THE INFORMATION CONTAINED ON THIS DRAWING IS PROPRIETARY TO ST. LOUIS MUSIC, INC.						
Drawn	Signature	WMS	07/20/00	Part Number	075542-02	
Checked	Signature	WMS	07/20/00	Drawing Title	BASS PREAMP	
Released	Signature	WMS	07/20/00	Part Number	075542-02	
Part Name	075542	Drawing Type	Schematic	Drawing Title	BASS PREAMP	
Part Number	075542	Drawing Type	Schematic	Drawing Title	BASS PREAMP	
Revision	075542	Drawing Type	Schematic	Drawing Title	BASS PREAMP	
Sheet	1	of	3	Drawing Number	075542-XX	



- TEST POINT CONDITIONS
- 1) 100 HERTZ SQUARE WAVEFORM
 - 2) 0.01 OHM TONES @ 10"
 - 3) 0.01 OHM TONES @ 5"
 - 4) BUTTONS "OUT", PULL SWITCHES "IN"

T.P.	AC VOLTAGE	DC VOLTAGE	WAVEFORM	CONDITIONS
TP1	0V	-14V		CH SELECT BUTTON "IN"
TP2	0V	+14V		CH SELECT BUTTON "IN"
TP3	0V	0V		CH SELECT BUTTON "IN"
TP4	0V	0V		CH SELECT BUTTON "IN"
TP5	0V	0V		CH SELECT BUTTON "IN"
TP6	0V	0V		CH SELECT BUTTON "IN"
TP7	0V	0V		CH SELECT BUTTON "IN"
TP8	0V	0V		CH SELECT BUTTON "IN"
TP9	0V	0V		CH SELECT BUTTON "IN"

- TEST POINTS
- | T.P. | AC VOLTAGE | DC VOLTAGE | WAVEFORM | CONDITIONS |
|------|------------|------------|----------|-----------------------|
| TP1 | 0V | 0V | | CH SELECT BUTTON "IN" |
| TP2 | 0V | 0V | | CH SELECT BUTTON "IN" |
| TP3 | 0V | 0V | | CH SELECT BUTTON "IN" |
| TP4 | 0V | 0V | | CH SELECT BUTTON "IN" |
| TP5 | 0V | 0V | | CH SELECT BUTTON "IN" |
| TP6 | 0V | 0V | | CH SELECT BUTTON "IN" |
| TP7 | 0V | 0V | | CH SELECT BUTTON "IN" |
| TP8 | 0V | 0V | | CH SELECT BUTTON "IN" |
| TP9 | 0V | 0V | | CH SELECT BUTTON "IN" |

CAUTION:
THIS SCHEMATIC IS PROVIDED FOR USE BY QUALIFIED PERSONNEL ONLY. THIS SCHEMATIC IS NOT TO BE USED FOR REPAIR OR SERVICE TO QUALIFIED PERSONNEL ONLY. THIS SCHEMATIC IS NOT TO BE USED FOR REPAIR OR SERVICE TO QUALIFIED PERSONNEL ONLY. THIS SCHEMATIC IS NOT TO BE USED FOR REPAIR OR SERVICE TO QUALIFIED PERSONNEL ONLY.

NOTES:
1) THIS UNIT CONTAINS HAZARDOUS VOLTAGE. DISCONNECT POWER AND BE SURE POWER SUPPLY IS DISCHARGED BEFORE WORKING ON THIS UNIT.
2) UNDESIRABLE TEST POINTS ARE IDENTIFIED BY A TRIANGLE.
3) VOLTAGES ARE MEASURED WITH 1 MEGOHM OSCILLOSCOPE AND 10 MEGOHM DIGITAL VOLTMETER.

ASSEMBLY PART NUMBER 07-542-02
ASSEMBLY DWG NUMBER 07-542-XX

REV.	DATE	DESCRIPTION	DESIGNED BY	APPROVED BY	DATE
4	8/30/11	CONVERTED FROM PAPER			

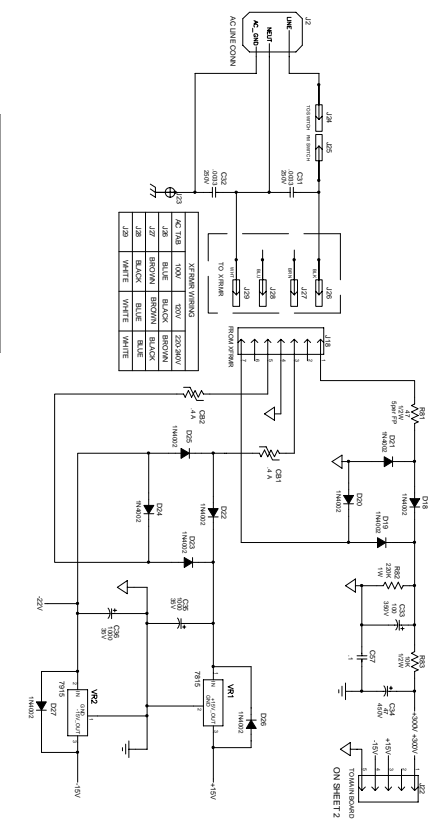
THE INFORMATION CONTAINED ON THIS SHEET IS THE PROPERTY OF GIBSON GUITAR CORPORATION. IT IS TO BE KEPT CONFIDENTIAL AND NOT TO BE REPRODUCED OR TRANSMITTED IN ANY FORM OR BY ANY MEANS, ELECTRONIC OR MECHANICAL, INCLUDING PHOTOCOPYING, RECORDING, OR BY ANY INFORMATION STORAGE AND RETRIEVAL SYSTEM.

Signature: _____
Date: _____
Title: _____

Part Name: **BASS PREAMP**
Drawing Title: **SVPSPa**
Drawing Number: **075542-XX**

TEST POINTS

T.P.	AC VOLTAGE	DC VOLTAGE	WAVEFORM	CONDITIONS
TP1	0V	0V		CH SELECT BUTTON "IN"
TP2	0V	0V		CH SELECT BUTTON "IN"
TP3	0V	0V		CH SELECT BUTTON "IN"
TP4	0V	0V		CH SELECT BUTTON "IN"
TP5	0V	0V		CH SELECT BUTTON "IN"
TP6	0V	0V		CH SELECT BUTTON "IN"
TP7	0V	0V		CH SELECT BUTTON "IN"
TP8	0V	0V		CH SELECT BUTTON "IN"
TP9	0V	0V		CH SELECT BUTTON "IN"



WINDING	VALUE	+15V	-15V	-10V
W1	072720	0	4	1
W2	072720	0	4	1
W3	072720	0	4	1
W4	072720	0	4	1
W5	072720	0	4	1
W6	072720	0	4	1
W7	072720	0	4	1
W8	072720	0	4	1
W9	072720	0	4	1
W10	072720	0	4	1

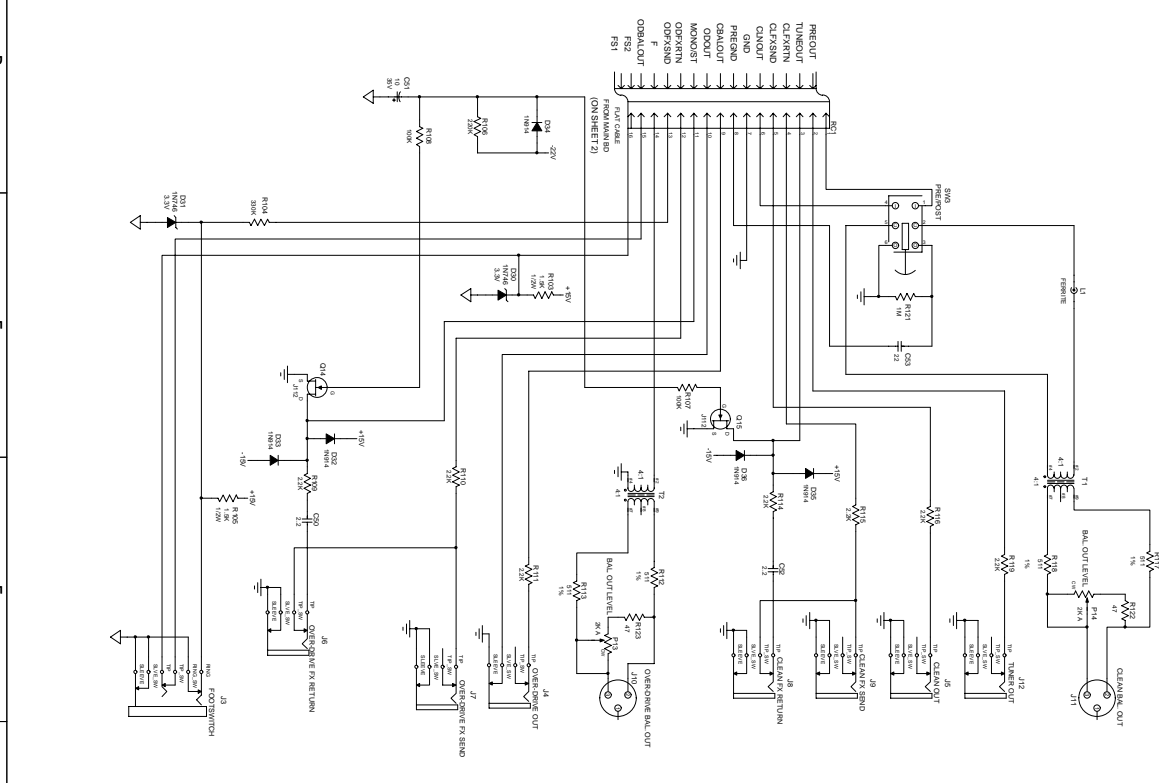
REF	VALUE	DESCRIPTION
R1	100K	RES
R2	100K	RES
R3	100K	RES
R4	100K	RES
R5	100K	RES
R6	100K	RES
R7	100K	RES
R8	100K	RES
R9	100K	RES
R10	100K	RES
C1	1000UF	CAP
C2	1000UF	CAP
C3	1000UF	CAP
C4	1000UF	CAP
C5	1000UF	CAP
C6	1000UF	CAP
C7	1000UF	CAP
C8	1000UF	CAP
C9	1000UF	CAP
C10	1000UF	CAP
D1	1N4001	DIODE
D2	1N4001	DIODE
D3	1N4001	DIODE
D4	1N4001	DIODE
U1	7815	REG
U2	7815	REG
U3	7815	REG
U4	7815	REG
U5	7815	REG
U6	7815	REG
U7	7815	REG
U8	7815	REG
U9	7815	REG
U10	7815	REG

CAUTION: THIS SCHEMATIC IS PROVIDED FOR USE BY QUALIFIED PERSONNEL. TO AVOID RISK OF ELECTRIC SHOCK, REFER SERVICING TO QUALIFIED SERVICE PERSONNEL. DO NOT PERFORM ANY SERVICING BEYOND THAT EXPLAINED IN THE OPERATING INSTRUCTIONS.

NOTES:

- 1) CAUTION: SHOCK HAZARD! DISCONNECT POWER AND BE SURE POWER SUPPLY IS DISCHARGED BEFORE TOUCHING INTERNAL PARTS.
- 2) UNLESS NOTED, RESISTOR VALUES IN OHMS, 1.4W, 5% TOL.
- 3) CAPACITOR VALUES IN MICROFARADS, 50V, 10% TOL.
- 4) VOLTAGES ARE MEASURED WITH 1 MEGOHM OSCILLOSCOPE AND 10 MEGOHM DIGITAL VOLTMETER.

ASSEMBLY PART NUMBER 07542-02
 ASSEMBLY DIAG NUMBER 07542-XX



REV	DATE	DESCRIPTION
4	06/01	CONTINUED PRODUCTION
3	05/01	DESIGN CHANGES
2	04/01	DESIGN CHANGES
1	03/01	DESIGN CHANGES

Part Name: WINDING BOX Drawing Size: D
 Part Type: Drawing Type: Schematic
 Part Date: 06/01/01
 Drawing Title: BASS PREAMP
 Drawing Number: 07542-XX

APPROVED BY: [Signature]
 DATE: 06/01/01