

INPUT SIGNAL 1KHz FROM 07-538-01
S1 OUT (TOP & BOTTOM)

T.P.	AC VOLTAGE	DC VOLTAGE
1	.7V p-p	0 ±.2
2	.7V p-p	0 ±.2
3	1.2V p-p	0 ±.2
4	14V p-p	0 ±.2
5	60V p-p	+1.4V*
6	60V p-p	-1.4V*
7	N/A	N/A
8	N/A	N/A
9	56V p-p	0 ±.3
10	6dB FROM J22/4	0 ±.2

* TEMPERATURE DEPENDENT

PARTS NOT USED

D29-D34	R79	R85-R89	Q9-Q12
Q2	J24	D24-D27	R67-R73
R14	R2	D37-D38	C29-C35
R1	C7	OC2	
D5	L2	C24-C26	
L1	R32	R45-R58	
R64	R43	J4	

CAUTION:
THIS SCHEMATIC IS PROVIDED FOR USE BY QUALIFIED PERSONNEL.
TO AVOID RISK OF ELECTRIC SHOCK, REFER SERVICING TO QUALIFIED SERVICE PERSONNEL. DO NOT PERFORM ANY SERVICING BEYOND THAT EXPLAINED IN THE OPERATING INSTRUCTIONS.

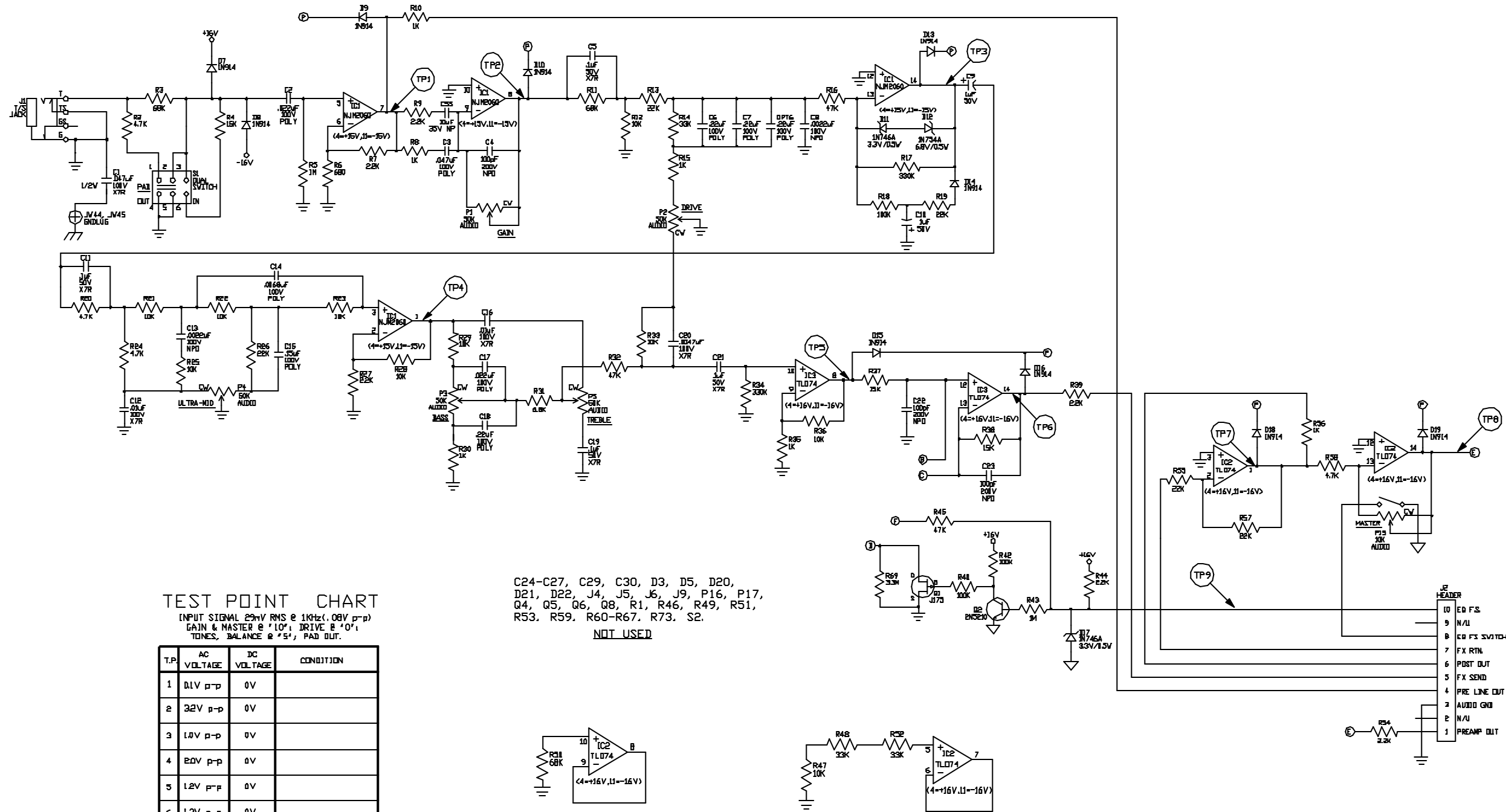
- NOTES
- 1) CAUTION: SHOCK HAZARD!! THIS UNIT CONTAINS HAZARDOUS VOLTAGE. DISCONNECT POWER AND BE SURE POWER SUPPLY IS DISCHARGED BEFORE TOUCHING INTERNAL PARTS.
 - 2) UNLESS NOTED, RESISTOR VALUES IN OHMS, 1/4W-5% TOL. CAPACITOR VALUES IN MICROFARADS, 50V-10% TOL.
 - 3) VOLTAGES ARE MEASURED WITH 1 MEGOHM OSCILLOSCOPE AND 10 MEGOHM DIGITAL VOLTMETER.
 - 4) CHASSIS GROUND \perp SIGNAL GROUND \perp LED GROUND ∇

REV	DATE	BY	CHK'D	DESCRIPTION
6				
5	4-6-98	RLB		UPDATE TO AGREE WITH PICTORIAL PER ECO 980162
4	11/14/97	SWR		CHANGED VALUE OF R19, & R80 thru R83. PER ECO #970781.
3	10/10/97	MAG		CHG'D PARTS TO RADIAL INSERTED PARTS PER ECO 970592.
2	11/08/95	DMM		CHG'D 39-116-51 TO 36-116-01 PER ECO 950348.
1	07/06/95	MGA		ADDED GOOP DWG AS PG 3

SIGNATURES:		DATE:	11880 BORMAN DR. ST. LOUIS, MISSOURI 63148
DRAWN:	MGA	10/12/94	
CHK'D:	GM	05/08/95	PROJECT NAME:
APP'D:	GM	05/08/95	B-3 BASS AMP
ORIGINAL ISSUED:		05/08/95	DRAWING NAME:
PLOT DATE:		06/01/98	POWER AMP SCHEMATIC
PLOT TIME:		15:22:27	DRAWING NO. 07S435-01
FILE NAME:		43501h5_	REV. 5_

NOTES

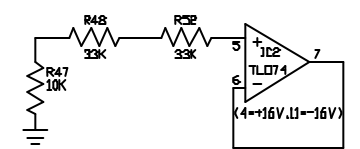
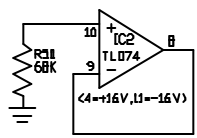
- 1) CAUTION: SHOCK HAZARD!
THIS UNIT CONTAINS HAZARDOUS VOLTAGE. DISCONNECT POWER AND BE SURE POWER SUPPLY IS DISCHARGED BEFORE TOUCHING INTERNAL PARTS.
- 2) UNLESS NOTED, RESISTOR VALUES IN OHMS, 1/4W-5% TOL. CAPACITOR VALUES IN MICROFARADS, 50V-10% TOL.
- 3) VOLTAGES ARE MEASURED WITH 1 MEGOHM OSCILLOSCOPE AND 10 MEGOHM DIGITAL VOLTMETER.
- 4) CHASSIS GROUND ∇ LED GROUND ∇ AUDIO GROUND \neq



TEST POINT CHART
INPUT SIGNAL 20mV RMS @ 1KHz (1.00V p-p)
GAIN & MASTER @ '10'; DRIVE @ '0';
TONES, BALANCE @ '5'; PAD OUT.

T.P.	AC VOLTAGE	DC VOLTAGE	CONDITION
1	0.1V p-p	0V	
2	0.2V p-p	0V	
3	1.0V p-p	0V	
4	2.0V p-p	0V	
5	1.2V p-p	0V	
6	1.3V p-p	0V	
7	1.2V p-p	0V	
8	2.4V p-p	0V	
9	—	3.3V/0V	GRAPHIC EQ ON/OFF

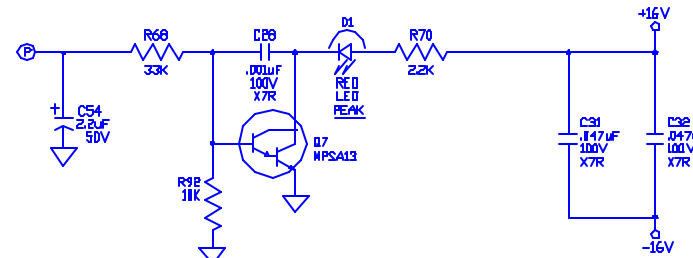
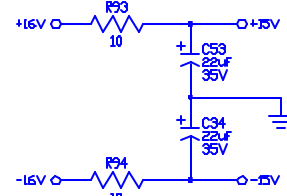
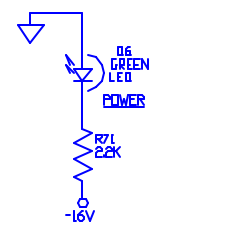
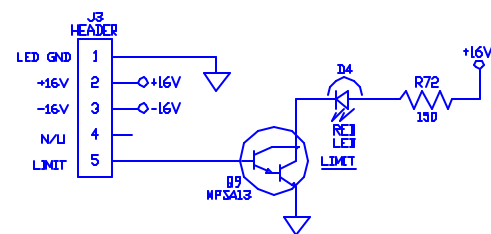
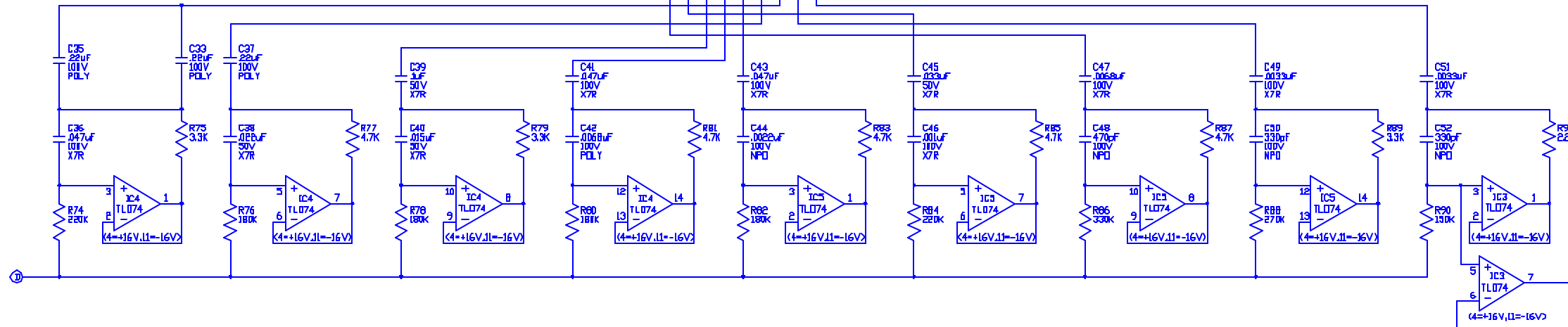
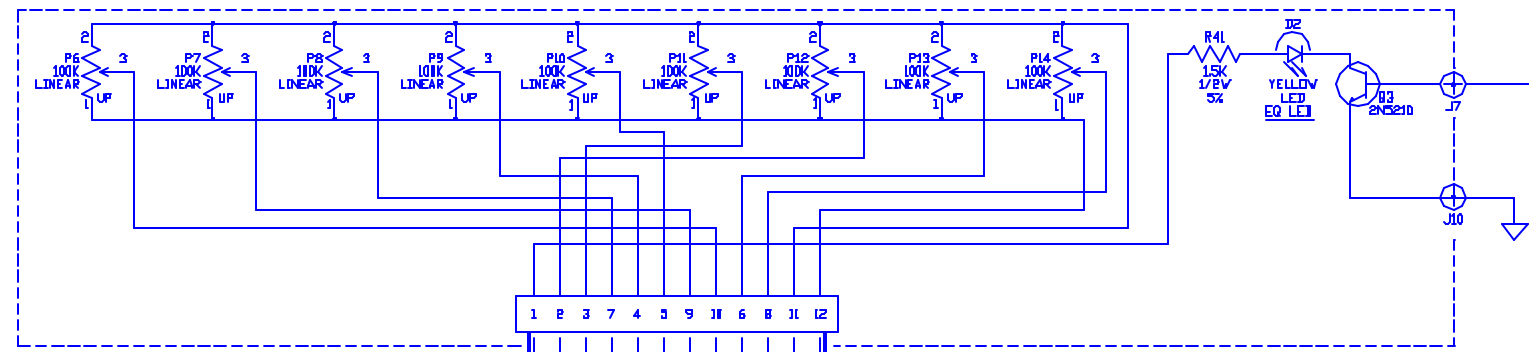
C24-C27, C29, C30, D3, D5, D20,
D21, D22, J4, J5, J6, J9, P16, P17,
Q4, Q5, Q6, Q8, R1, R46, R49, R51,
R53, R59, R60-R67, R73, S2.
NOT USED



SIGNATURES:		DATE:	11880 BORMAN DR. ST. LOUIS, MISSOURI 63146	
DRAWN:	REM	07/16/98	PROJECT NAME:	
CHK'D:	GM	07/16/98	B3/B3-28	
APP'D:	GM	07/16/98	DRAWING NAME:	
ORIGINAL ISSUED:	07/16/98	PREAMP SCHEMATIC		
PLOT DATE:	11/19/98	DRAWING NO.	075538-02	REV 0_
PLOT TIME:	08:59:37	SCALE:	NTS	SHEET: 1 OF 2
FILE NAME:	53802h0_			

NOTES

- 1) CAUTION: SHOCK HAZARD!
THIS UNIT CONTAINS HAZARDOUS VOLTAGE. DISCONNECT POWER AND BE SURE POWER SUPPLY IS DISCHARGED BEFORE TOUCHING INTERNAL PARTS.
- 2) UNLESS NOTED, RESISTOR VALUES IN OHMS, 1/4V-5% TOL. CAPACITOR VALUES IN MICROFARADS, 50V-10% TOL.
- 3) VOLTAGES ARE MEASURED WITH 1 MEGOHM OSCILLOSCOPE AND 10 MEGOHM DIGITAL VOLTMETER.
- 4) CHASSIS GROUND --- LED GROUND ∇ AUDIO GROUND ---



SEE SHT 1 FOR REV HISTORY

SIGNATURES:	DATE:	11800 BORNAN DR. ST. LOUIS, MISSOURI 63146	
DRAWN: REM	7/16/88	PROJECT NAME: B3/B3-28	
CHK'D: GM	7/16/88	DRAWING NAME: PREAMP SCHEMATIC	
APP'D: GM	7/16/88	DRAWING NO. 075538-02 REV. D	
ORIGINAL ISSUED:	7/16/88	FILE NAME: 53802.D	SCALE: NONE SHEET: 2 OF 2