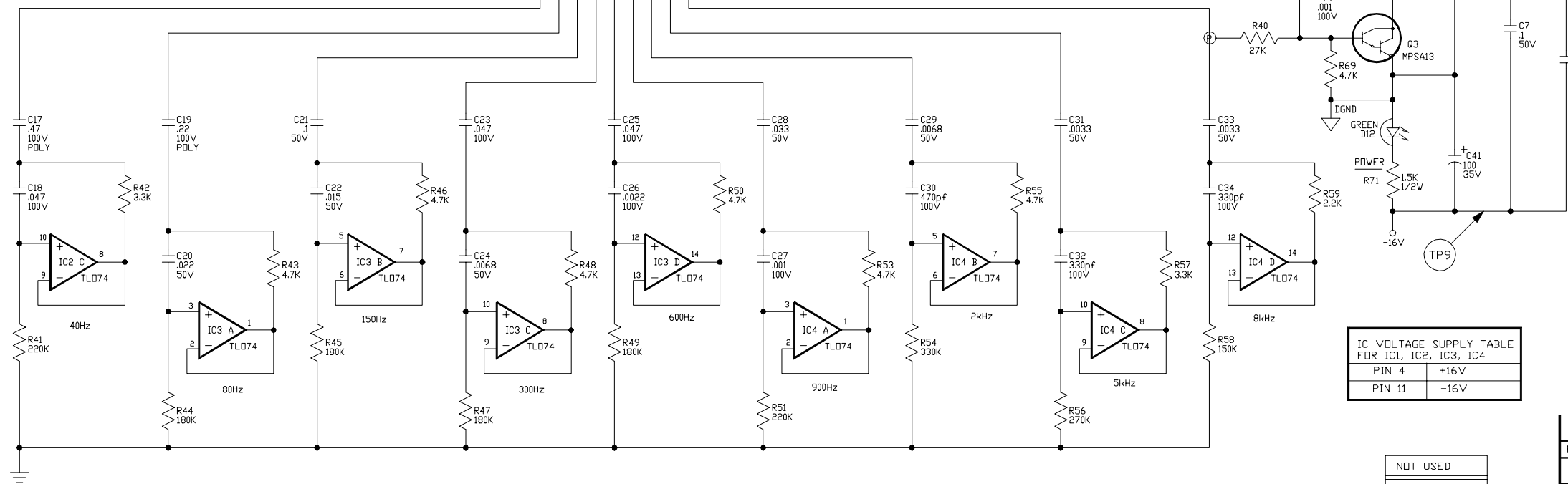


**B-2 PREAMP TEST POINTS**

INPUT SIGNAL 50mV P-P @ 1KHz  
GAIN & LEVEL @ '10'; EQ's @ '5'

T.P.	AC VOLTAGE	DC VOLTAGE
1	50mV p-p	—
2	970mV p-p	—
3	8.5V p-p	—
4	15V p-p	—
5	15V p-p	—
6	680mV p-p	—
7	13V p-p	—
8	5mV p-p	+16V
9	-5mV p-p	-16V



PIN 4	+16V
PIN 11	-16V

D7,8,9
R5,8,9,19,20,52,60,61,62,63

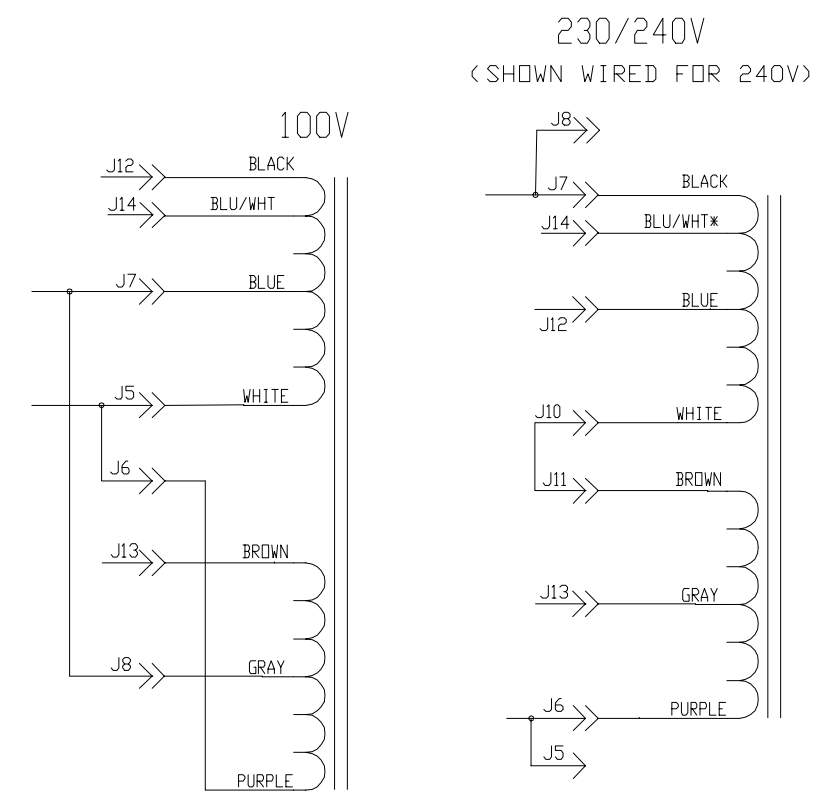
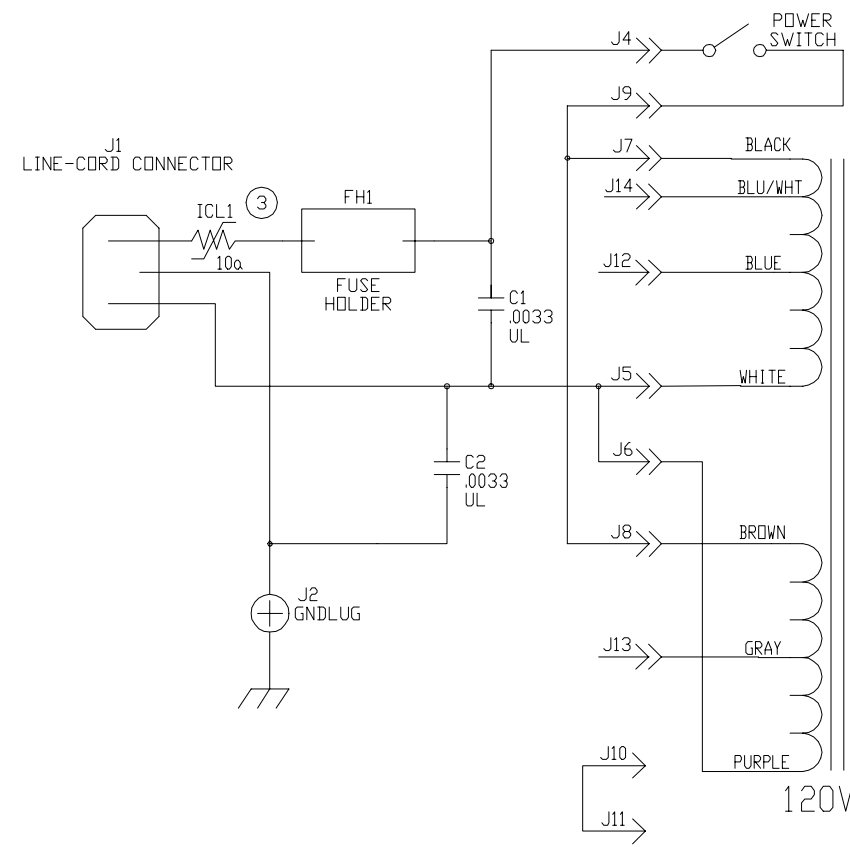
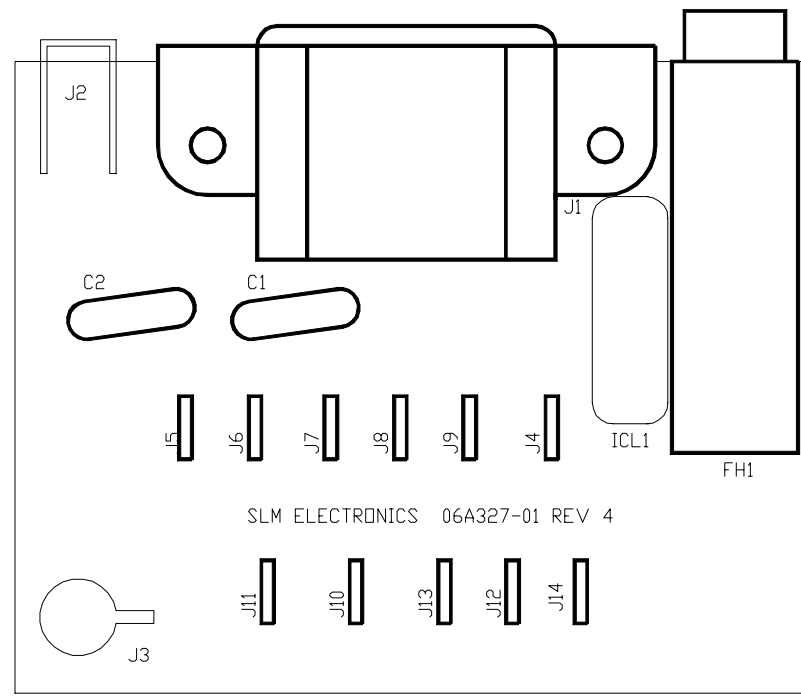
PART # 07-535-01  
PART # 07-535-02  
THIS DWG REPLACES DRAWING # 07P535-01

**CAUTION:**  
THIS SCHEMATIC IS PROVIDED FOR USE BY QUALIFIED PERSONNEL. TO AVOID RISK OF ELECTRIC SHOCK, REFER SERVICING TO QUALIFIED SERVICE PERSONNEL. DO NOT PERFORM ANY SERVICING BEYOND THAT EXPLAINED IN THE OPERATING INSTRUCTIONS.

**NOTES**  
1) CAUTION: SHOCK HAZARD!  
THIS UNIT CONTAINS HAZARDOUS VOLTAGE. DISCONNECT POWER AND BE SURE POWER SUPPLY IS DISCHARGED BEFORE TOUCHING INTERNAL PARTS.

- 2) UNLESS NOTED, RESISTOR VALUES IN OHMS, 1/4W-5% TOL. CAPACITOR VALUES IN MICROFARADS, 50V-10% TOL.
- 3) VOLTAGES ARE MEASURED WITH 1 MEGOHM OSCILLOSCOPE AND 10 MEGOHM DIGITAL VOLTMETER.
- 4) DIRTY GROUND ↓ SIGNAL GROUND ⇕

A	5/11/99	PRELIMINARY RELEASE			
REV:	DATE:	DESCRIPTION	ECR/ECN NO:	CHNG'D BY:	APPR'D BY:
THE INFORMATION CONTAINED ON THIS DRAWING IS PROPRIETARY TO ST. LOUIS MUSIC, INC.					
SIGNATURES:		DATE:		11880 Borman Dr. St. Louis, Missouri 63146	
DRAWN: REM		5/11/99		FIRST USED ON: SVT350Ha	
CHK'D:		5/11/99		DRAWING TITLE: SCHEMATIC - BASS PREAMP	
RSL'D:				DRAWING NO.: 07S535-XX	
TOLERANCES:		DRAWING SIZE: D		CLASS CODE: SCHEMATIC	
		DRAWING TYPE: SCHEMATIC		SCALE: NONE	
		SHEET:			



EXPORT WIRING

\* FOR "230V" VERSIONS REVERSE THE BLUE/WHITE AND THE BLACK TRANSFORMER LEAD.

DESIGNATOR	PART #	DESCRIPTION
C1	10-332-01	.0033 UL
C2	10-332-01	.0033 UL
FH1	23-346-01	FUSE HOLDER
J1	17-604-01	LINE-CORD CONNECTOR
J2	51-149-01	GNDLUG
J3	NOT USED	
J4	17-836-01	.250 TAB
J5	17-836-01	.250 TAB
J6	17-836-01	.250 TAB
J7	17-836-01	.250 TAB
J8	17-836-01	.250 TAB
J9	17-836-01	.250 TAB
J10	17-836-01	.250 TAB
J11	17-836-01	.250 TAB
J12	17-836-01	.250 TAB
J13	17-836-01	.250 TAB
J14	17-836-01	.250 TAB
ICL1	73-501-10	10Ω

QTY	MISC.	DESCRIPTION
2	30-638-53	6-32 x 3/8" SCREW
2	30-700-01	6-32 HEX KEPNUT ASSY
1	06A327-01	PC BOARD

3	6-22-98	RLB	ADDED ICL1 TO P/L.PCB AND SCHEMATIC PER ECO 980346	
2	09/10/97	SWR	ADDED J14. PER ECO #970424.	
1	02/03/94	SWR	ADDED VOLTAGE FOR DOMESTIC TRANSFORMER PER ECO #E039	
REV	DATE	BY	CHK'D	DESCRIPTION
SIGNATURES:		DATE:		 11880 BORNAN DR. ST. LOUIS, MISSOURI 63146
DRAWN: S.RADER		11/12/93		
CHK'D: GM		07/01/98		
APP'D: GM		07/01/98		
ORIGINAL ISSUED: 11/12/93				DRAWING NAME:
PLOT DATE: 07/02/98				A.C. TERM. BD. PICT.
PLOT TIME: 10:12:23				DRAWING NO. 07P327-01 REV 3_
FILE NAME: 32701P3_				SCALE: 1:1 SHEET: 1 OF 1