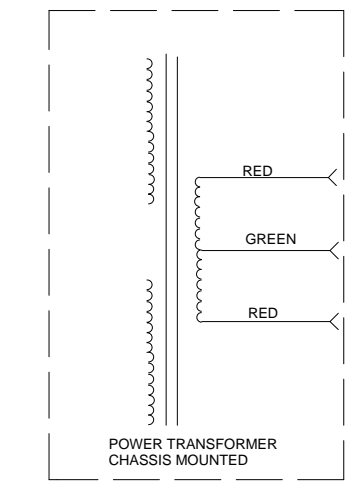


TEST POINT CONDITIONS:
 INPUT SIGNAL AT J9 PIN 2.
 1V P-P @ 1KHz SINE WAVE
 J9 PIN 3 CONNECTED TO J9 PIN 4,
 120VAC LINE VOLTAGE, NO LOAD.

TUNER/PRE LINE OUT
 EFFECTS SEND
 EFFECTS RETURN
 PREAMP OUT
 LIMITER
 PREAMP GROUND
 +16V
 -16V
 DIRTY GROUND
 LIMIT LED



CAUTION:
 THIS SCHEMATIC IS PROVIDED FOR USE BY QUALIFIED PERSONNEL.
 TO AVOID RISK OF ELECTRIC SHOCK, REFER SERVICING TO QUALIFIED
 SERVICE PERSONNEL. DO NOT PERFORM ANY SERVICING BEYOND
 THAT EXPLAINED IN THE OPERATING INSTRUCTIONS.

NOTES:
 1) CAUTION: SHOCK HAZARD!!
 THIS UNIT CONTAINS HAZARDOUS VOLTAGE. DISCONNECT POWER
 AND BE SURE POWER SUPPLY IS DISCHARGED BEFORE
 TOUCHING INTERNAL PARTS.
 2) UNLESS NOTED, RESISTOR VALUES IN OHMS, 1/8W-5% TOL.
 CAPACITOR VALUES IN MICROFARADS, 50V-10% TOL.
 3) VOLTAGES ARE MEASURED WITH 1 MEGOHM OSCILLOSCOPE
 AND 10 MEGOHM DIGITAL VOLTMETER.

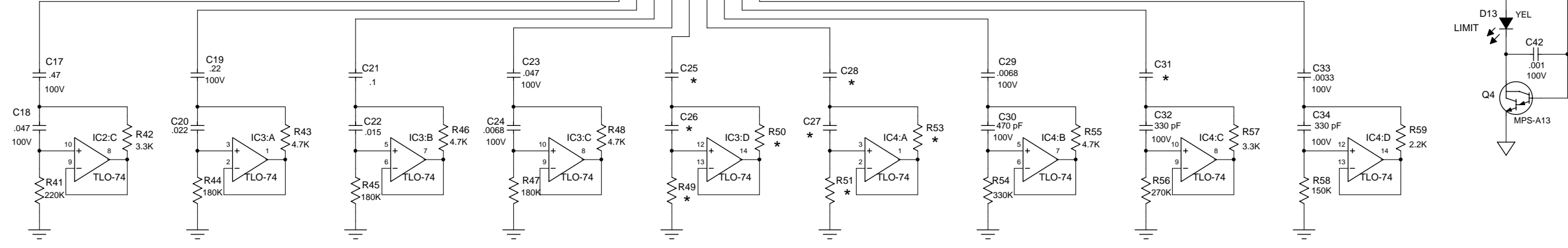
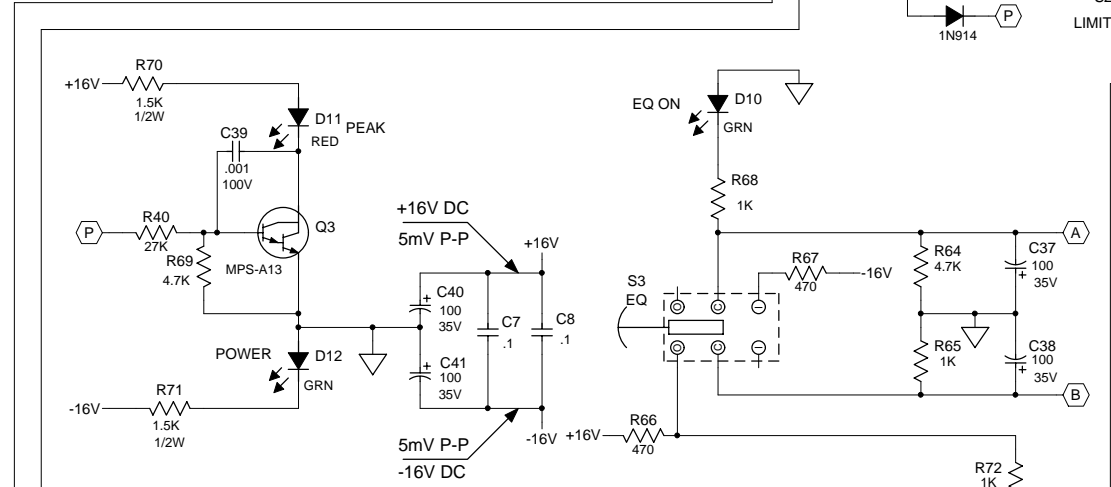
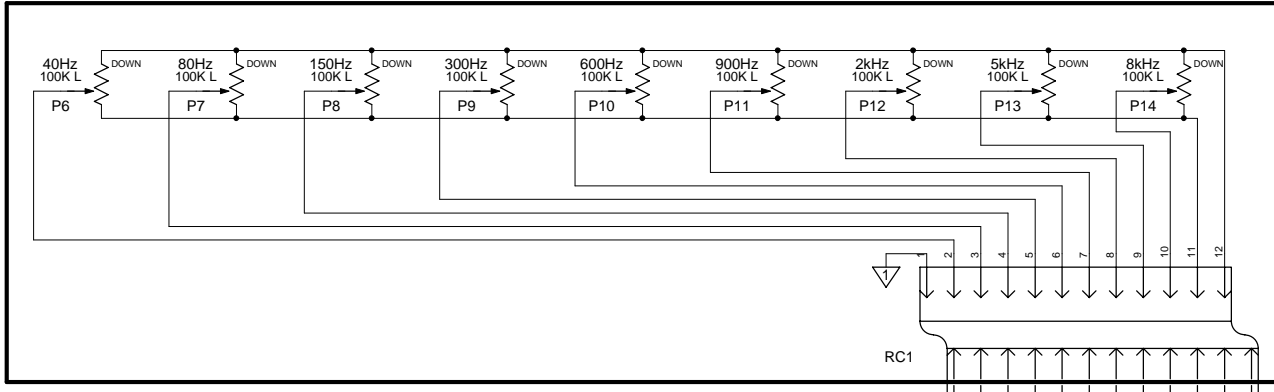
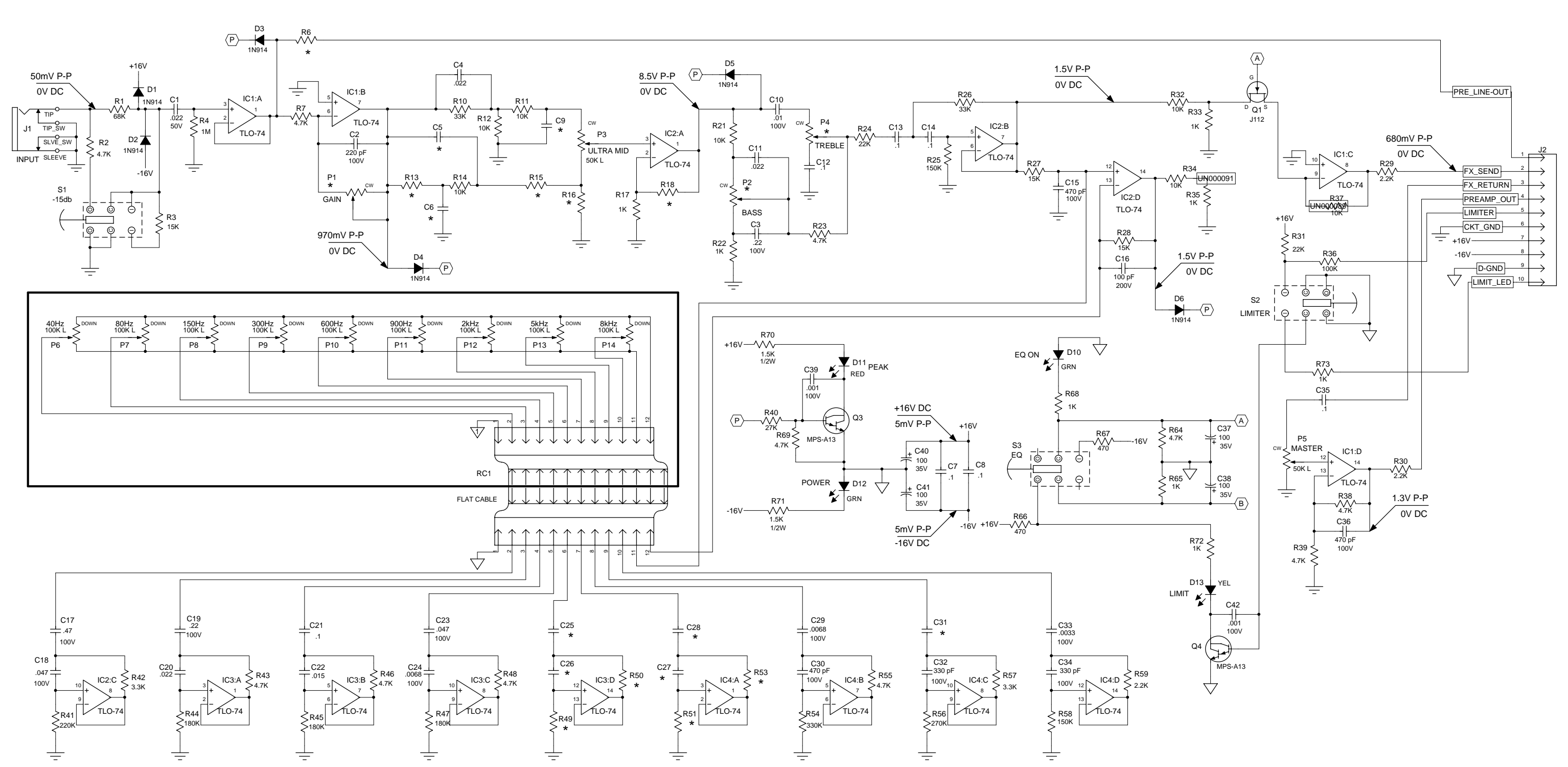
4) NOTE: GROUND SYMBOLS REPRESENT GROUNDS AS SHOWN:

5) NOTE: TEST POINTS ARE FOR -01 ASSY. OTHER ASSYS ARE SIMILAR.
 6) * SEE PARTS LIST.

ASSY PART # 07-388-01
 ASSY PART # 07-388-02
 ASSY PART # 07-388-03

Power Table		
RefDes	+16V	-16V
IC2	8	4
IC3	4	11
IC4	8	4

1	9/23/04	CORRECTED -02, ADDED -03 AS SHOWN.	N01612	REM		
0	2/13/04	CONTROL ISSUE				
A	12/18/03	INITIAL ISSUE				
REV	Date	DESCRIPTION	Ecr(s)/Ecn(s)	Chgd By	Appvd by	Date
THE INFORMATION CONTAINED ON THIS DRAWING IS PROPRIETARY TO ST. LOUIS MUSIC, INC.						
Signatures:			Date:			
Drawn: REM			08/08/03		11880 Borman Drive, St. Louis, MO 63146	
Checked: -			-		First Used On:	
Released:						
Plot Date: Mon Sep 27, 2004		Drawing Size: C		Drawing Title: SCHEMATIC - POWER AMP		
Plot Time: 13:24:00		Drawing Type: Schematic		Drawing Number: 07S388		
Tolerance:		Class Code: NONE		Sheet 1 of 2		



Power Table			
Ref Des	Device(Type)	Package	-16V/+16V
IC1	3707401_	14DIP_3	11 4
IC2	3707401_	14DIP_3	11 4
IC3	3707401_	14DIP_3	11 4
IC4	3707401_	14DIP_3	11 4

* FOR VALUE SEE PARTS LIST

TEST POINTS

1 TEST POINTS FOR
-01, -02, -03 VERSIONS ONLY
OTHERS SIMILAR

1	09/07/04	ADDED -04 CONFIGURATION								N01604	
0	08/05/03	SUPERCEDES 07S05-01 REV 5									
REV	Date	DESCRIPTION	Cr(s)/Ecr(s)	Chg'd By	Appr'd By	Date					
THE INFORMATION CONTAINED ON THIS DRAWING IS PROPRIETARY TO ST. LOUIS MUSIC, INC.											
Signatures:		Date:									
Drawn: WFB		07/31/03		11990 Borman Dr., St. Louis, MO 63148							
Checked:		First Used On:									
Released:											
Plot Date: Mon Jun 20, 2006	Drawing Size: B	Drawing Title: BASS PREAMP									
Plot Time: 09:26:45	Drawing Type: Schematic										
Tolerance:	Class Code: NONE	Drawing Number: 07S535									
Sheet 1	of 1										

CAUTION:
THIS SCHEMATIC IS PROVIDED FOR USE BY QUALIFIED PERSONNEL TO AVOID RISK OF ELECTRIC SHOCK. REFER SERVICING TO QUALIFIED SERVICE PERSONNEL. DO NOT PERFORM ANY SERVICING BEYOND THAT EXPLAINED IN THE OPERATING INSTRUCTIONS.

NOTES:
1) CAUTION: SHOCK HAZARD!
THIS UNIT CONTAINS HAZARDOUS VOLTAGE. DISCONNECT POWER AND BE SURE POWER SUPPLY IS DISCHARGED BEFORE TOUCHING INTERNAL PARTS.
2) UNLESS NOTED, RESISTOR VALUES IN OHMS, 1/4W-5% TOL. CAPACITOR VALUES IN MICROFARADS, 50V-10% TOL.
3) VOLTAGES ARE MEASURED WITH 1 MEGOHM OSCILLOSCOPE AND 10 MEGOHM DIGITAL VOLTMETER.