

**NOTES: COMPONENT NOMENCLATURE SCHEDULE: PARTS DESIGNATED FROM 1 TO 100 ARE FOUND ON PRE APP P.C. BOARD ZL0818, FROM 201 TO 300 ON POWER P.C. BOARD ZL0819 AND FROM 301 TO 400 ON CHASSIS.**

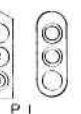
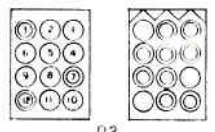
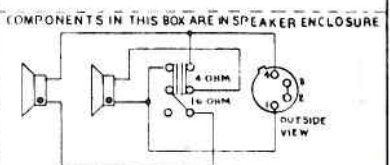
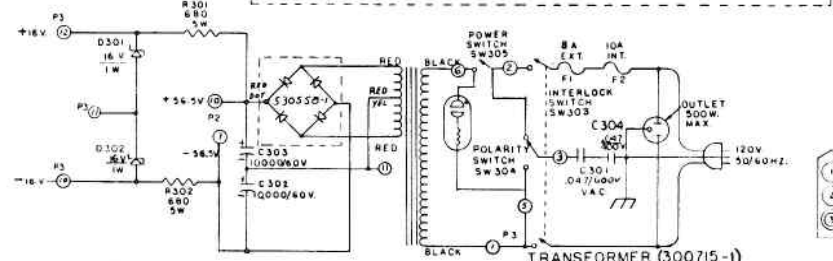
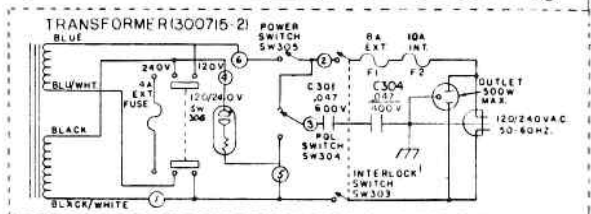
- ALL RESISTORS IN OHMS 1/2 W UNLESS OTHERWISE SPECIFIED.
- ALL CAPACITORS IN PFD. AND 250 V UNLESS OTHERWISE SPECIFIED.
- D.C. VOLTAGE READINGS WITH NO SIGNAL APPLIED USING A 20,000 OHM PER VOLT VOLTMETER.
- NUMBERS IN PARENTHESES REFER TO MFR/MFG PART NUMBERS.
- D.C. VOLTAGE READINGS ARE POSITIVE WITH RESPECT TO CHASSIS GROUND UNLESS OTHERWISE SPECIFIED.
- CHASSIS OF CHASSIS MAY VARY SLIGHTLY FROM THAT SHOWN HERE DUE TO NORMAL PRODUCTION CHANGES.
- ADJUST R212 BIAS POT. TO READ .011 VOLTS D.C. WITH NO LOAD CONNECTED AND NO SIGNAL APPLIED ACROSS PINS 6 AND 9 OF OUTPUT CONNECTOR.
- INPUT SENSITIVITY WITH CONTROLS SET FOR FLAT FREQUENCY RESPONSE, IS .010 VOLTS RMS INPUT FOR 28.28V OUTPUT, VOLUME AT MAXIMUM.
- POWER OUTPUT SHOULD BE AT LEAST 200 WATTS RMS CONTINUOUS AT A LESS THAN .2% T.H.D.

ALL D.C. VOLTAGE READINGS MADE WITH NO SIGNAL APPLIED.

**CAUTION: ALL SEMICONDUCTORS ARE SELECTED TO MEET SPECIFICATIONS AND ARE TESTED PRIOR TO AND AFTER ASSEMBLY IN THIS PRODUCT. OTHER THAN FACTORY REPLACEMENTS MAY CAUSE APPLICATION TO FAIL AND ARE NOT COVERED UNDER WARRANTY.**

**SEMICONDUCTOR CROSS REFERENCE:**

IC 1	610265-1	RYTHM
IC 2	610265-1	FAIRCHILD
Q201	610270-1	FAIRCHILD
Q202	610270-1	FAIRCHILD
Q203	610270-1	FAIRCHILD
Q204	610270-1	FAIRCHILD
Q205	610270-1	FAIRCHILD
Q206	610270-1	FAIRCHILD
Q207	610270-1	FAIRCHILD
Q208	610270-1	FAIRCHILD
Q209	610270-1	FAIRCHILD
Q210	610270-1	FAIRCHILD
Q211	610270-1	FAIRCHILD
Q212	610270-1	FAIRCHILD
Q213	610270-1	FAIRCHILD
Q214	610270-1	FAIRCHILD
Q215	610270-1	FAIRCHILD
Q216	610270-1	FAIRCHILD
Q217	610270-1	FAIRCHILD
Q218	610270-1	FAIRCHILD
Q219	610270-1	FAIRCHILD
Q220	610270-1	FAIRCHILD
Q221	610270-1	FAIRCHILD
Q222	610270-1	FAIRCHILD
Q223	610270-1	FAIRCHILD
Q224	610270-1	FAIRCHILD
Q225	610270-1	FAIRCHILD
Q226	610270-1	FAIRCHILD
Q227	610270-1	FAIRCHILD
Q228	610270-1	FAIRCHILD
Q229	610270-1	FAIRCHILD
Q230	610270-1	FAIRCHILD
Q231	610270-1	FAIRCHILD
Q232	610270-1	FAIRCHILD
Q233	610270-1	FAIRCHILD
Q234	610270-1	FAIRCHILD
Q235	610270-1	FAIRCHILD
Q236	610270-1	FAIRCHILD
Q237	610270-1	FAIRCHILD
Q238	610270-1	FAIRCHILD
Q239	610270-1	FAIRCHILD
Q240	610270-1	FAIRCHILD

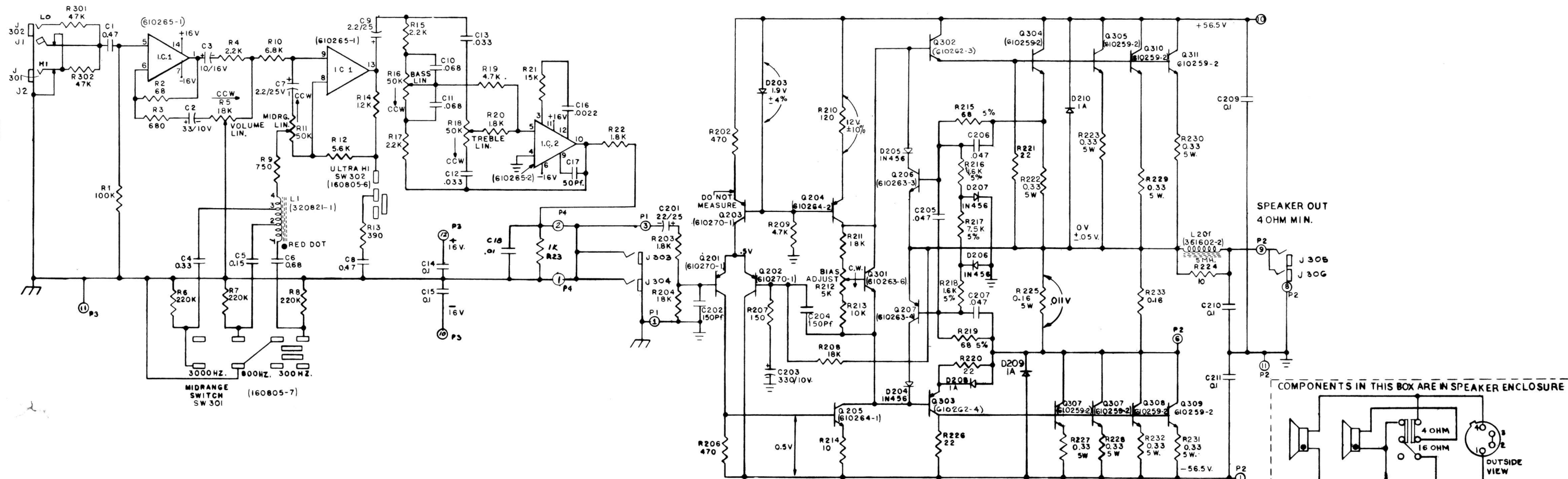


4x	59738-2	A
7x	59738-7	A
SIZE H	PART NO.	REV

ADDITIONAL MECHANICAL SPECIFICATIONS	MATERIAL	FINISH																																																												
<table border="1"> <tr> <th colspan="4">-- IN FRANCES --</th> </tr> <tr> <th>DECIMALS</th> <th>1/16</th> <th>FRACTIONS</th> <th>1/32</th> </tr> <tr> <td>1</td> <td>30</td> <td>1/16</td> <td>1/32</td> </tr> <tr> <td>XX</td> <td>30</td> <td>8/16</td> <td>1/32</td> </tr> <tr> <td>XXX</td> <td>30</td> <td>8/16</td> <td>1/32</td> </tr> </table>	-- IN FRANCES --				DECIMALS	1/16	FRACTIONS	1/32	1	30	1/16	1/32	XX	30	8/16	1/32	XXX	30	8/16	1/32	<table border="1"> <tr> <th colspan="4">THE AMPEG COMPANY</th> </tr> <tr> <td colspan="4">DIVISION OF THE HARRIS CORP.</td> </tr> <tr> <td colspan="4">P.O. BOX 419, LINDEN, N.J. 07036</td> </tr> <tr> <td colspan="4">V-6B</td> </tr> <tr> <td>DESIGNED BY</td> <td>DATE</td> <td>REVISED BY</td> <td>DATE</td> </tr> <tr> <td>DR. J. ESTABROOK</td> <td>11/73</td> <td></td> <td></td> </tr> <tr> <td>CHECKED BY</td> <td>DATE</td> <td>REVISED BY</td> <td>DATE</td> </tr> <tr> <td>DR. L. H. HARRIS</td> <td>11/73</td> <td></td> <td></td> </tr> <tr> <td>SCALE</td> <td></td> <td></td> <td></td> </tr> </table>	THE AMPEG COMPANY				DIVISION OF THE HARRIS CORP.				P.O. BOX 419, LINDEN, N.J. 07036				V-6B				DESIGNED BY	DATE	REVISED BY	DATE	DR. J. ESTABROOK	11/73			CHECKED BY	DATE	REVISED BY	DATE	DR. L. H. HARRIS	11/73			SCALE				<table border="1"> <tr> <td>WIRE</td> <td>QWS NO.</td> </tr> <tr> <td>D</td> <td>591738</td> </tr> </table>	WIRE	QWS NO.	D	591738
-- IN FRANCES --																																																														
DECIMALS	1/16	FRACTIONS	1/32																																																											
1	30	1/16	1/32																																																											
XX	30	8/16	1/32																																																											
XXX	30	8/16	1/32																																																											
THE AMPEG COMPANY																																																														
DIVISION OF THE HARRIS CORP.																																																														
P.O. BOX 419, LINDEN, N.J. 07036																																																														
V-6B																																																														
DESIGNED BY	DATE	REVISED BY	DATE																																																											
DR. J. ESTABROOK	11/73																																																													
CHECKED BY	DATE	REVISED BY	DATE																																																											
DR. L. H. HARRIS	11/73																																																													
SCALE																																																														
WIRE	QWS NO.																																																													
D	591738																																																													

591738

MODEL V6B SCHEMATIC DIAGRAM (REV. A)



NOTES: UNLESS OTHERWISE SPECIFIED

1. Capacitance values are in microfarads, 10%, 250V.
2. Resistors are 1/2W, 10%, composition.
3. DC voltages with no signal applied using a 20,000 ohm/volt voltmeter.
4. DC voltages are positive with respect to chassis ground.
5. With no load connected and no signal applied adjust R212 bias pot for 0.011 VDC between pins 6 and 9.
6. Actual circuit may vary slightly due to normal production changes.

**WARNING**

For maximum safety, reliability and performance, all parts must be replaced by those having identical specifications. Under no circumstances may the original design be modified or altered without permission from the Ampeg Company.

