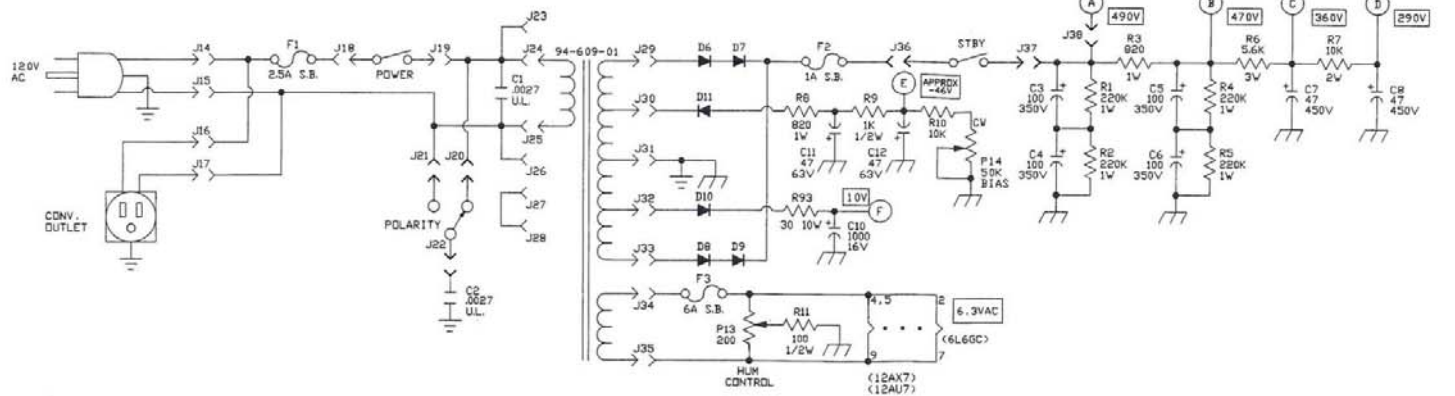


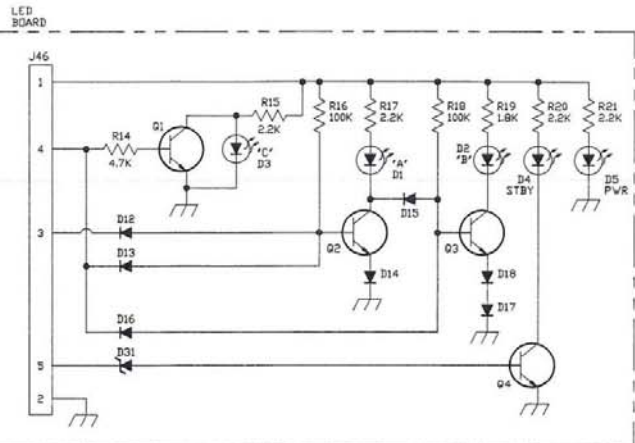
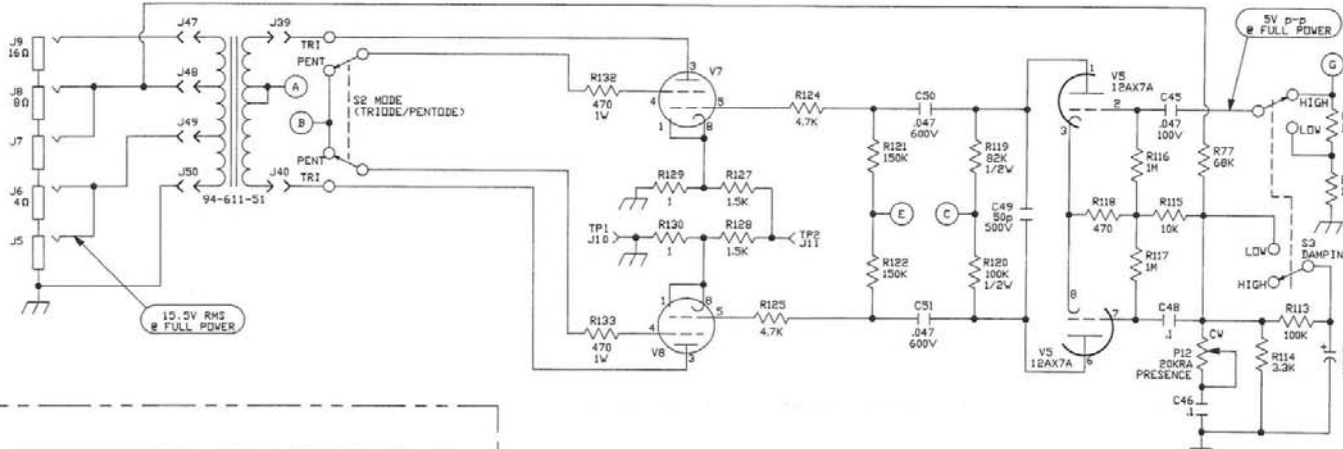
- NOTES**
- 1) THIS UNIT CONTAINS HAZARDOUS VOLTAGE. DISCONNECT POWER AND BE SURE POWER SUPPLY IS DISCHARGED BEFORE TOUCHING INTERNAL PARTS.
 - 2) UNLESS NOTED, RESISTOR VALUES IN OHMS, 1/4W-5% TOL. CAPACITOR VALUES IN MICROFARADS, 50V-10% TOL.
 - 3) VOLTAGES ARE MEASURED WITH 1 MEGOHM OSCILLOSCOPE AND 10 MEGOHM DIGITAL VOLTMETER.
 - 4) CIRCUIT GROUND \rightarrow CHASSIS GROUND +
 - 5) BIAS ADJUSTMENT WITH AMP IN PENTODE MODE AND NO SIGNAL APPLIED. ADJUST P14 FOR 0.05V + 20V BETWEEN TP1 AND TP2
 - 6) \square VOLTAGES, NO SIGNAL APPLIED
 - \square AC SIGNAL, 10KHZ CHANNEL "C" ACC CONTROLS * 10" EXCEPT REVERB * 10"

CAUTION:
 THIS SCHEMATIC IS PROVIDED FOR USE BY QUALIFIED PERSONNEL. TO AVOID RISK OF ELECTRIC SHOCK, REFER SERVICING TO QUALIFIED SERVICE PERSONNEL. DO NOT PERFORM ANY SERVICING BEYOND THAT EXPLAINED IN THE OPERATING INSTRUCTIONS.

ORIG. MGA 9-22-89	hm	hm
VERS. DRAWN BY	CHECKED BY	APPROVED BY
PAGE # 1 OF 2	DRAWING # 16-046-01	
DESCRIPTION: VT-60 SCHEMATIC		
SLM ELECTRONICS 11880 BORMAN DR. ST. LOUIS, MO 63148		




PARTS LIST PART	07-226-01 DESCRIPTION	PART NUMBER
P1-P2	250KA W/SW	70-254-25
P3	10KA	70-103-22
P4	250KA	70-254-22
P5, P7, P9	1MA	70-105-22
P6, P8, P10	250KA W/SW	70-254-25
P12	20KRA	70-203-23
P13	200 OHM TRIM	71-201-11
P14	50K TRIM	71-503-11
D1, D5	RED LED	21-501-01
D2	YELLOW LED	21-503-01
D3, 4	GREEN LED	21-502-01
D6-11	1N4007	21A407-01
D12-18	1N914	21A914-01
D19, 20	1N746	21A146-01
D21-30	1N914	21A914-01
D31	1N4747	21A447-01
Q1-4	2N5210	96-510-01
Q5-12	J176	96-176-01
Q13-20	2N5210	96-510-01
DC1-3, OC6	VTL-5C3	66-101-01
	VTL-5C4	66-104-01
V1, 2	12AX7A HI GRADE	95-127-02
V3	12AU7A	95-126-01
V4, V5	12AX7A	95-127-01
V7-V8	6L6GC	95-616-01
J1, 2	1/4" JACK	39-119-01
J3, 4	1/4" JACK	39-117-01
J5-9	1/4" JACK	39-116-01
J10, 11	PIN JACK	39-403-01
J12, 13	1/4" JACK	39-116-01
J14-19	.250" TAB	17-836-01
J20, J22, J25	.187" TAB	17-894-01
J21	.250" TAB	17-836-01
J23-24	.250" TAB	17-836-01
J26-40	.250" TAB	17-836-01
J41-44	.187" TAB	17-894-01
J45, 46	5 PIN HEADER	17-310-05
J47-50	.250" TAB	17-836-01
J51-55	9 PIN SOCKET	17-450-09
J56-59	8 PIN SOCKET	17-450-08
S2	DPDT SLIDE	88-202-01
S3	DPDT P.B.	88-302-01
F1	2.5A SB	23-309-05
F2	1A SB	23-301-05
F3	6A SB	23-307-01



CAUTION:
THIS SCHEMATIC IS PROVIDED FOR USE BY QUALIFIED PERSONNEL. TO AVOID RISK OF ELECTRIC SHOCK, REFER SERVICING TO QUALIFIED SERVICE PERSONNEL. DO NOT PERFORM ANY SERVICING BEYOND THAT EXPLAINED IN THE OPERATING INSTRUCTIONS.

- NOTES**
- 1) THIS UNIT CONTAINS HAZARDOUS VOLTAGE. DISCONNECT POWER AND BE SURE POWER SUPPLY IS DISCHARGED BEFORE TOUCHING INTERNAL PARTS.
 - 2) UNLESS NOTED, RESISTOR VALUES IN OHMS, 1/4W-5W TOL. CAPACITOR VALUES IN MICROFARADS, 50V-10X TOL.
 - 3) VOLTAGES ARE MEASURED WITH 1 MEGOHM OSCILLOSCOPE AND 10 MEGOHM DIGITAL VOLTMETER.
 - 4) CIRCUIT GROUND /// CHASSIS GROUND \oplus
 - 5) BIAS ADJUSTMENT WITH AMP IN PENTODE MODE AND NO SIGNAL APPLIED, ADJUST P14 FOR 0.05V \pm .01V BETWEEN TP1 AND TP2
 - 6) --- VOLTAGES, NO SIGNAL APPLIED
 --- AC SIGNAL, 1KHz, CHANNEL "C" ALL CONTROLS @ "0" EXCEPT REVRCD @ "0"

DRG. MGA 9-22-89	<i>gm</i>	<i>gm</i>
VERS.	DRAWN BY	CHECKED BY
PAGE # 2 OF 2	DRAWING # 16-046-01	
DESCRIPTION: VT-60 SCHEMATIC		
 SLM ELECTRONICS 11880 BORMAN DR. ST. LOUIS, MO 63146		