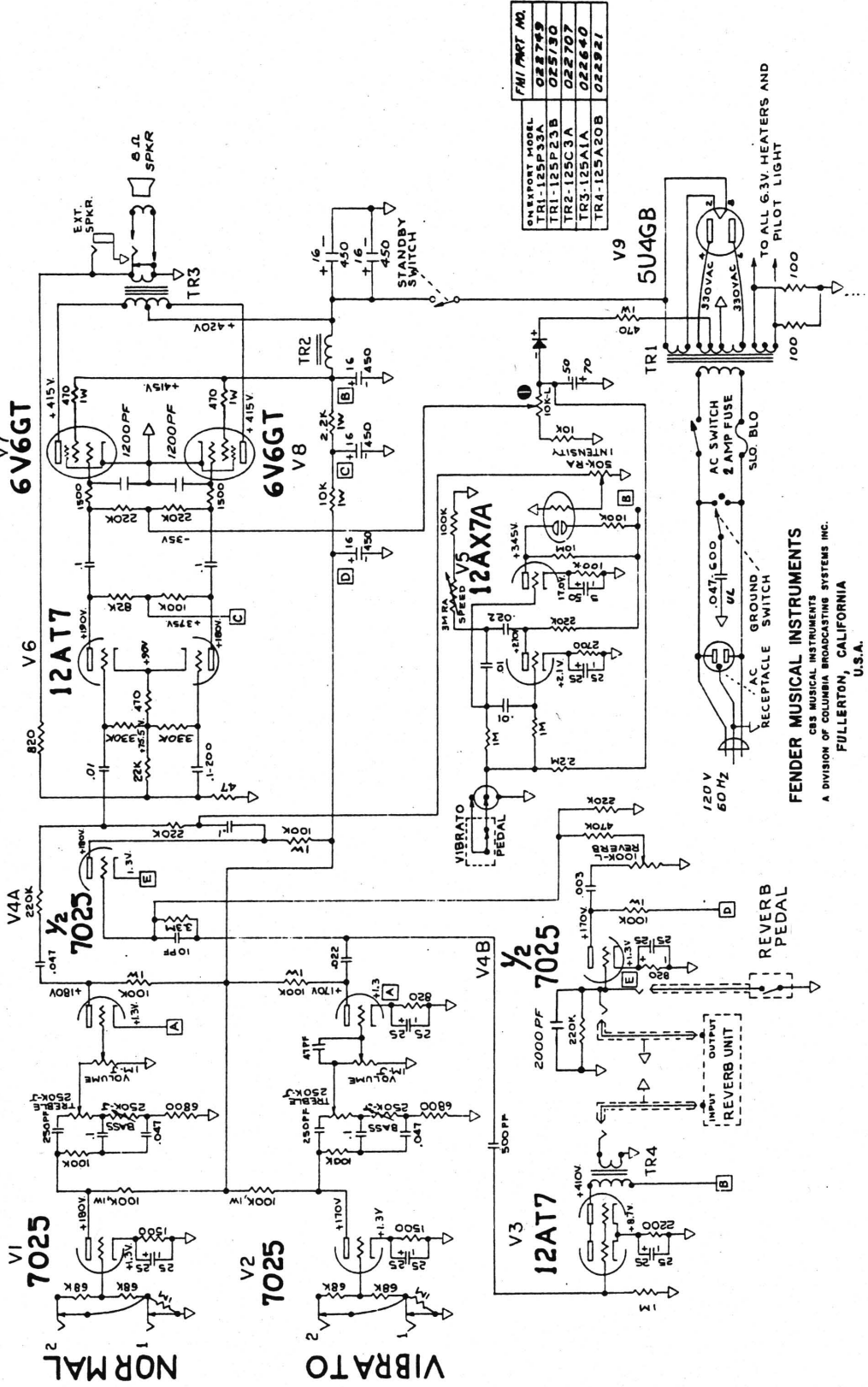


FENDER "DELUXE REVERB-AMP A1172" SCHEMATIC NOTICE

THIS PRODUCT MANUFACTURED UNDER ONE OR MORE OF THE FOLLOWING U.S. PATENTS:
 CIRCUIT PATENT #2817709, #2373681
 DESIGN PATENT #192859

- 1 - VOLTAGES READ TO GROUND WITH ELECTRONIC VOLTMETER
- 2 - ALL RESISTORS $\frac{1}{2}$ OR 10% TOLERANCE IF NOT SPECIFIED
- 3 - ALL CAPACITORS AT LEAST 60VOLT RATING IF NOT SPECIFIED



GM EXPORT MODEL	FBI/PART NO.
TR1-125P33A	022749
TR1-125P23B	025130
TR2-125C3A	022707
TR3-125A1A	022640
TR4-125A20B	022821

SCHEMATIC & WIRING DIAGRAM		DELUXE REV-AMP	
REL. NO.	530	DWG. NO.	045450
REV.	C		H

FENDER MUSICAL INSTRUMENTS
 CBS MUSICAL INSTRUMENTS
 A DIVISION OF COLUMBIA BROADCASTING SYSTEMS INC.
 FULLERTON, CALIFORNIA
 U.S.A.