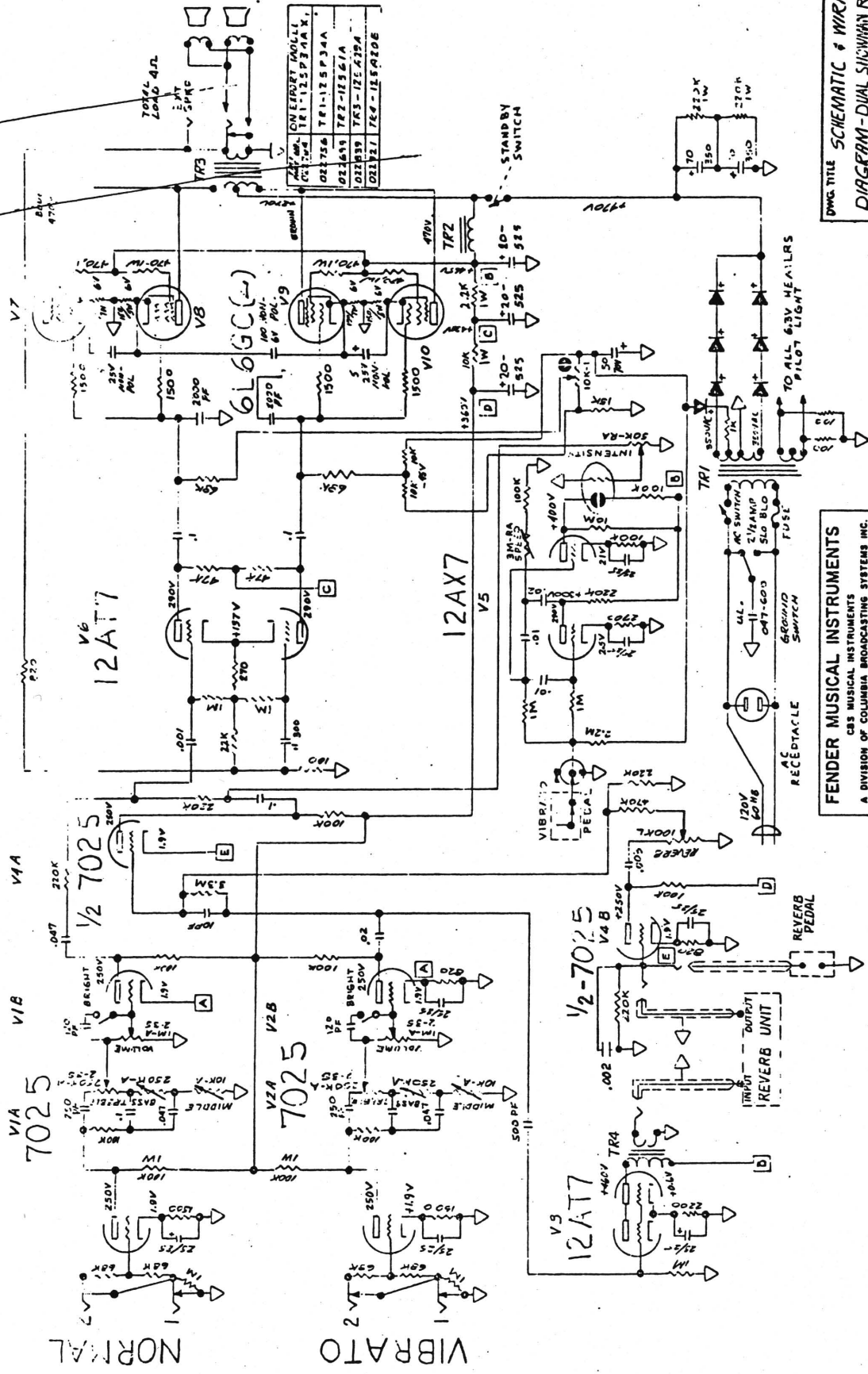


# FENDER "DUAL SHOWMAN REVERB-AMP AA768" SCHEMATIC NOTICE

THIS PRODUCT MANUFACTURED UNDER ONE OR MORE OF THE FOLLOWING US PATENTS: # 2817708, # 2973561, 197859, & PATENTS PENDING.

1. VOLTAGES READ TO GROUND WITH V.T.V.M.
2. VALUES ± 5% TOLERANCE - 10% TOLERANCE IF NOT SPECIFIED.
3. ALL RESISTORS 1/2 WATT UNLESS OTHERWISE SPECIFIED.
4. VOLTAGES MEASURED WITH VIBRATO PLUMB GRAVITY TO CHASSIS.



**FENDER MUSICAL INSTRUMENTS**  
 CBS MUSICAL INSTRUMENTS  
 A DIVISION OF COLUMBIA BROADCASTING SYSTEMS INC.  
 SANTA ANA, CALIFORNIA  
 U.S.A.

DWG. TITLE		SCHEMATIC & WIRING	
DIAGRAM-DUAL SHOWMAN REVERB		AA768 TUBE TYPE TFL 5000 D	
REL. NO.	557	SIZE	D
SCALE	100%	DWG. NO.	100712
MODEL NO.	AA768	REV.	A
		SHEET 1 OF 2	