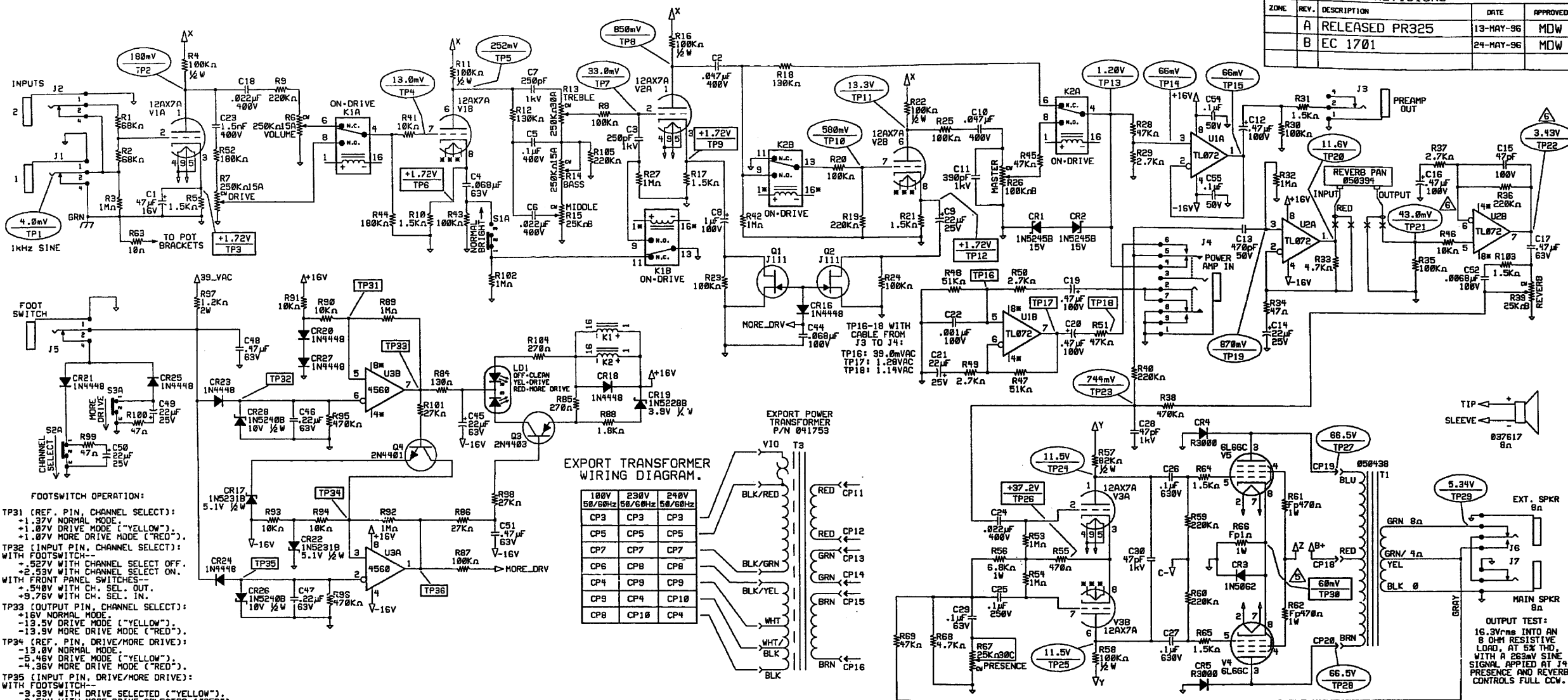


REVISIONS				
ZONE	REV.	DESCRIPTION	DATE	APPROVED
	A	RELEASED PR325	13-MAY-96	MDW
	B	EC 1701	24-MAY-96	MDW



FOOTSWITCH OPERATION:

TP31 (REF. PIN, CHANNEL SELECT):
 -1.37V NORMAL MODE.
 -1.07V DRIVE MODE ("YELLOW").
 -1.07V MORE DRIVE MODE ("RED").

TP32 (INPUT PIN, CHANNEL SELECT):
 WITH FOOTSWITCH--
 -2.52V WITH CHANNEL SELECT OFF.
 -2.53V WITH CHANNEL SELECT ON.
 WITH FRONT PANEL SWITCHES--
 -5.40V WITH CH. SEL. OUT.
 -9.75V WITH CH. SEL. IN.

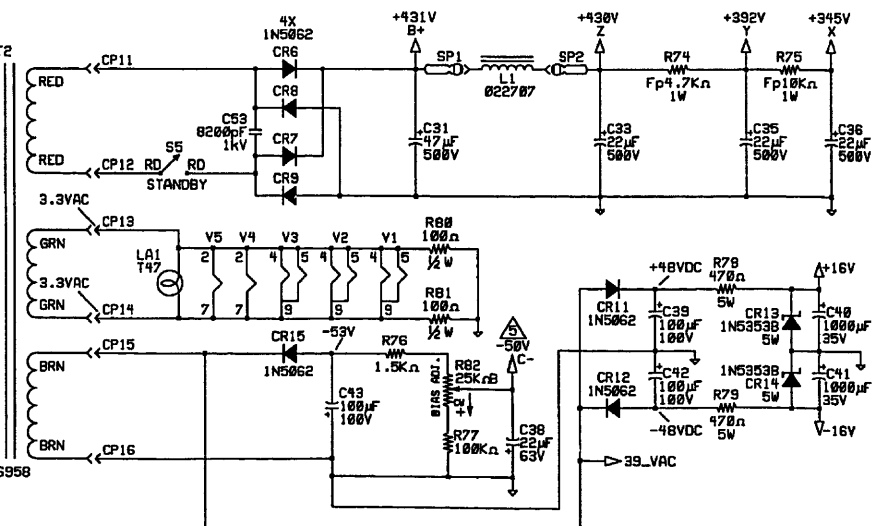
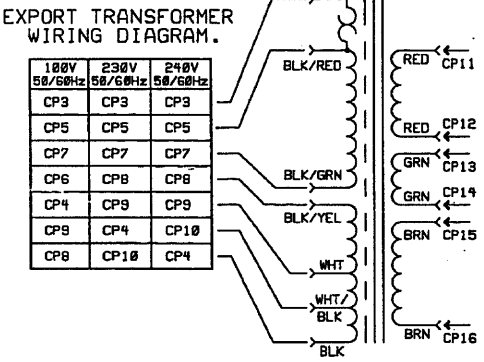
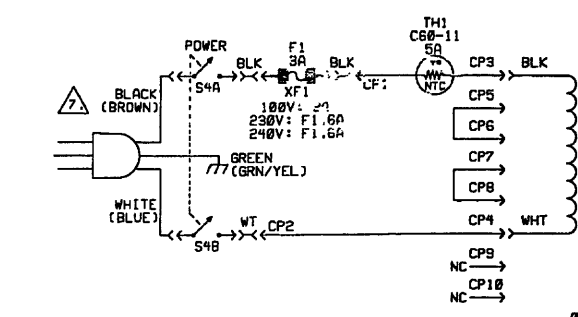
TP33 (OUTPUT PIN, CHANNEL SELECT):
 -1.6V NORMAL MODE.
 -13.5V DRIVE MODE ("YELLOW").
 -13.9V MORE DRIVE MODE ("RED").

TP34 (REF. PIN, DRIVE/MORE DRIVE):
 -13.0V NORMAL MODE.
 -5.46V DRIVE MODE ("YELLOW").
 -4.36V MORE DRIVE MODE ("RED").

TP35 (INPUT PIN, DRIVE/MORE DRIVE):
 WITH FOOTSWITCH--
 -3.33V WITH DRIVE SELECTED ("YELLOW").
 -6.54V WITH MORE DRIVE SELECTED ("RED").
 WITH FRONT PANEL SWITCHES--
 -5.4V WITH MORE DRIVE OUT.
 -10.0V WITH MORE DRIVE IN.

TP36 (OUTPUT PIN, DRIVE/MORE DRIVE):
 -1.6V NORMAL MODE.
 -1.6V DRIVE MODE ("YELLOW").
 -1.6V MORE DRIVE MODE ("RED").

NOTE:
 THE FOOTSWITCH OVERRIDES THE FRONT PANEL SWITCHES.



- NOTES: (UNLESS SPECIFIED OTHERWISE)**
- LAST INSTANCES: C55 CP20 CR28 F1 J7 K2 L1 LA1 LD1 Q4 R105 S5 T2 TH1 U5 V5
 - SIX DIGIT NUMBERS ARE FENDER PART NUMBERS.
 - ALL RESISTORS 1/4W 5% CARBON FILM.
 - ALL VOLTAGES MEASURED WITH RESPECT TO GROUND USING A TRUE RMS DVM OF 1Ma AC INPUT IMPEDANCE AND OF 10Ma DC INPUT IMPEDANCE. VOLTAGES MAY VARY ±20%. TEST CONDITIONS:
 LINE VOLTAGE 120VAC 60Hz.
 ALL DC AND SUPPLY MEASUREMENTS MADE WITH NO INPUT SIGNAL.
 REVERB CONTROL AT FULL CCW.
 ALL OTHER CONTROLS AT 50% ROTATION.
 NORMAL BRIGHT SWITCH OUT.
 DRIVE ("YELLOW") MODE SELECTED.
 BIAS SET TO 30ma PER OUTPUT TUBE. SEE NOTE 5.
- ⚠️ BIAS ADJUSTMENT - NO SIGNAL APPLIED, RATED LINE VOLTAGE AT T2 POWER TRANSFORMER PRIMARY:
 SET BIAS ADJUST POT R62 TO OBTAIN A READING OF +65mV AT TP30. VOLTAGE SHOWN AT BIAS POT WIPER IS FOR REFERENCE ONLY.
- ⚠️ READINGS OBSERVED AT TP21 AND TP22 WILL VARY GREATLY DEPENDING ON INDIVIDUAL REVERB PAN RESPONSE. THE VOLTAGE GAIN AT U2B SHOULD BE 82.
- ⚠️ COLORS IN PARENTHESES ARE FOR 230V AND 240V UNITS.
- ⚠️ "MORE DRIVE" ADDS 12.7dB OF GAIN TO THE "DRIVE MODE".
- ⚠️ INSTANCES NOT USED:
 C32 C34 C37 CP17 CP21 CR18 R71-73 R83

DATABASE FILE: 2355.DBF CHECKED BY: JLA DATE: 08-MAY-96 APPROVED: MDW DATE: 13-MAY-96 TOLERANCES: UNLESS SPECIFIED: X.X .5% X.XX .01% X.XXX .005% ANGLES .500°	PROPRIETARY THIS DRAWING OR ANY PART THEREOF IS THE PROPERTY OF GARDNER MUSICAL INSTRUMENTS CO. AND IS NOT TO BE REPRODUCED OR TRANSMITTED IN ANY FORM OR BY ANY MEANS WITHOUT THE EXPRESS WRITTEN PERMISSION OF GARDNER MUSICAL INSTRUMENTS CO. GARDNER MUSICAL INSTRUMENTS CO. 2621 Service Drive Corona, CA 91720 USA TITLE: SCHEMATIC DIAGRAM HOT ROD DELUXE SIZE: DRAWING NUMBER: 050397 B DRAWN BY: M. WILKENS NEXT HIGHER ASSEMBLY: 050400 PCB ASSY HOT ROD DELUXE SCALE: NONE PLOTTED: 12-JUN-96 SHEET 1 OF 1
--	---

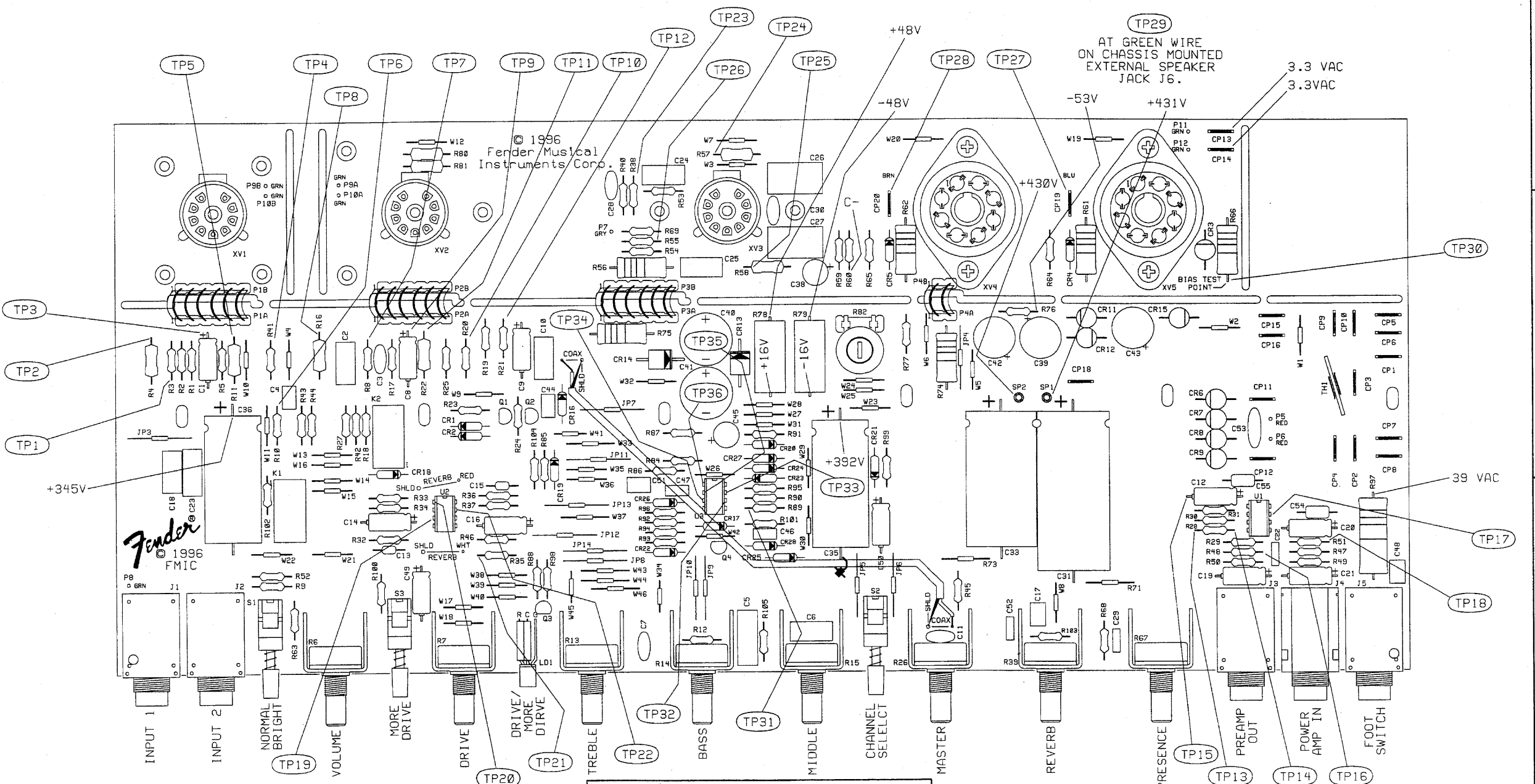
SHEET 1 OF 1
 0503980001

8 7 6 5 4 3 2 1

REVISIONS

ZONE	REV.	DESCRIPTION	DATE	APPROVED
	A	RELEASED PR325	13-MAY-96	MDW

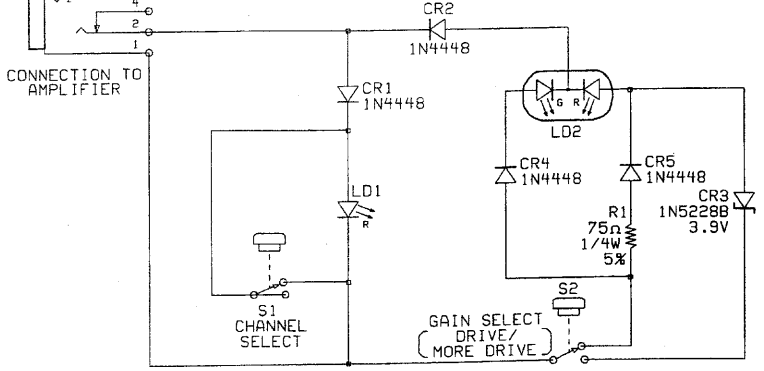
NOTES:
1.) WIRES NOT SHOWN FOR CLARITY.



© 1996 Fender Musical Instruments Corp.

FILM/DWG: SERVICE DIAGRAM
DATABASE: Z325PA.DBF
DATE: 12-JUN-96
LAYERS PLOTTED: 1 2 3 4 10 18

SCHEMATIC FOR FOOTSWITCH ASSEMBLY 050419.



DATABASE FILE: Z325PA.DBF
CHECKED BY: JLA
DATE: 08-MAY-96
APPROVED: MDW
DATE: 13-MAY-96
TOLERANCES: UNLESS OTHERWISE NOTED
X.X ±0.050"
X.XX ±0.010"
X.XXX ±0.005"
ANGLES ±0.500°

PROPRIETARY
THIS DRAWING DOCUMENT CONTAINS INFORMATION WHICH IS PROPRIETARY TO AND IS THE PROPERTY OF THE FENDER MUSICAL INSTRUMENTS CO. AND MAY NOT BE USED, REPRODUCED OR DISCLOSED IN ANY MANNER WITHOUT THE EXPRESSED WRITTEN CONSENT FROM: FENDER MUSICAL INSTRUMENTS CO. REGIONAL HEADQUARTERS 2621 RESEARCH DRIVE CORONA, CA 91720 USA IT IS TIME...
NEXT HIGHER ASSEMBLY:

Fender MUSICAL INSTRUMENTS
2621 Research Drive
Corona, CA 91720 USA

TITLE: SERVICE DIAGRAM
HOT ROD DELUXE.

SIZE	DRAWN: M. WILKENS	DRAWING NUMBER	REV.
C	ENGR: M. WILKENS	050399	A

SCALE: NONE
CREATED: 07-MAY-96
PLOTTED: 12-JUN-96 SHEET 1 OF 1

8 7 6 5 4 3 2 1