

# FENDER MODEL

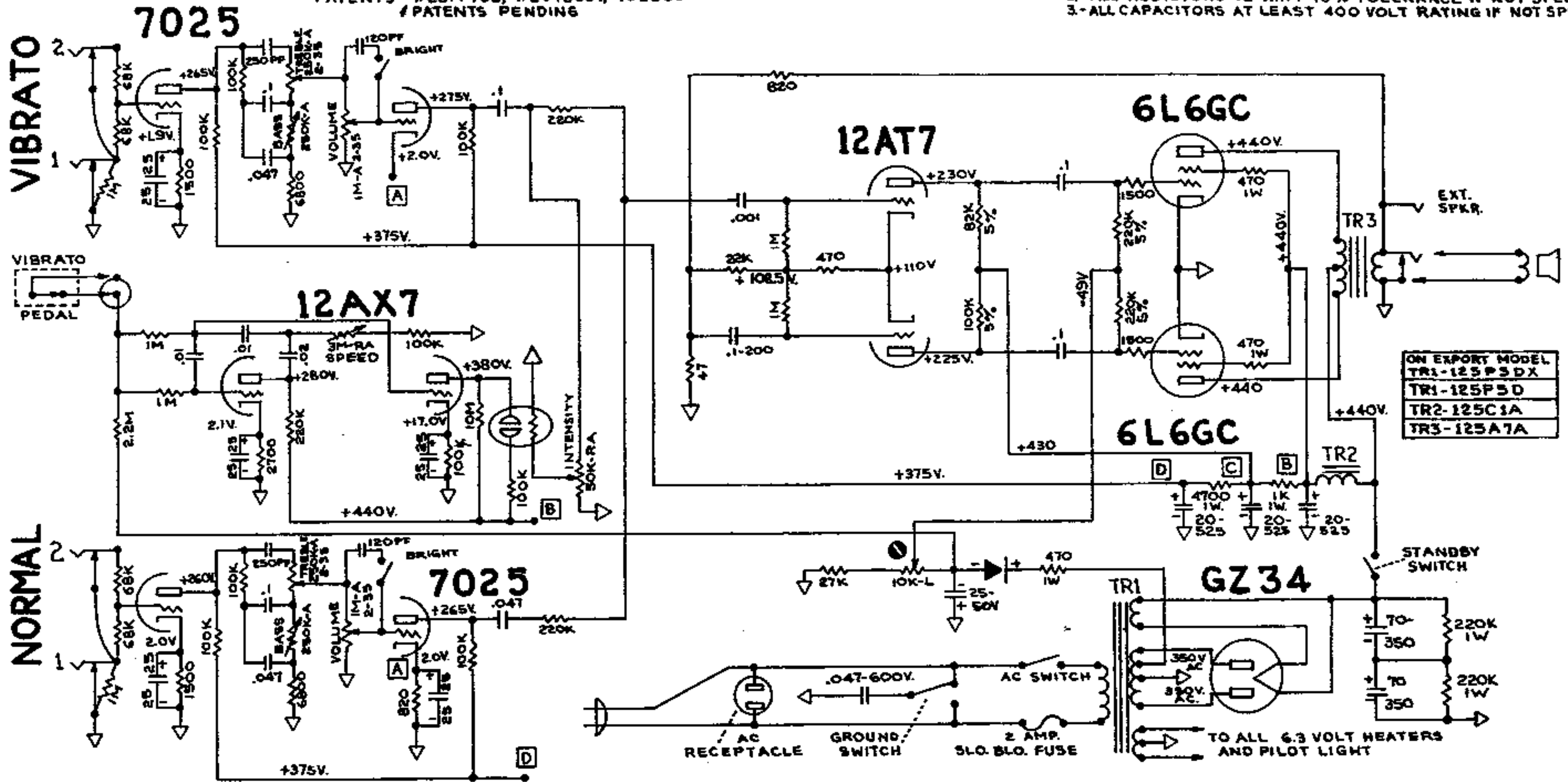
# "PRO-AMP AB763" SCHEMATIC

# NOTICE

THIS PRODUCT MANUFACTURED UNDER  
ONE OR MORE OF THE FOLLOWING U.S.  
PATENTS - #2817708, #2973681, 192859  
/ PATENTS PENDING

C-FD

- 1.-VOLTAGES READ TO GROUND WITH ELECTRONIC  
VOLTMETER. VALUES SHOWN +OR - 20%
- 2.-ALL RESISTORS 1/2 WATT 10% TOLERANCE IF NOT SPECIFIED.
- 3.-ALL CAPACITORS AT LEAST 400 VOLT RATING IF NOT SPECIFIED.



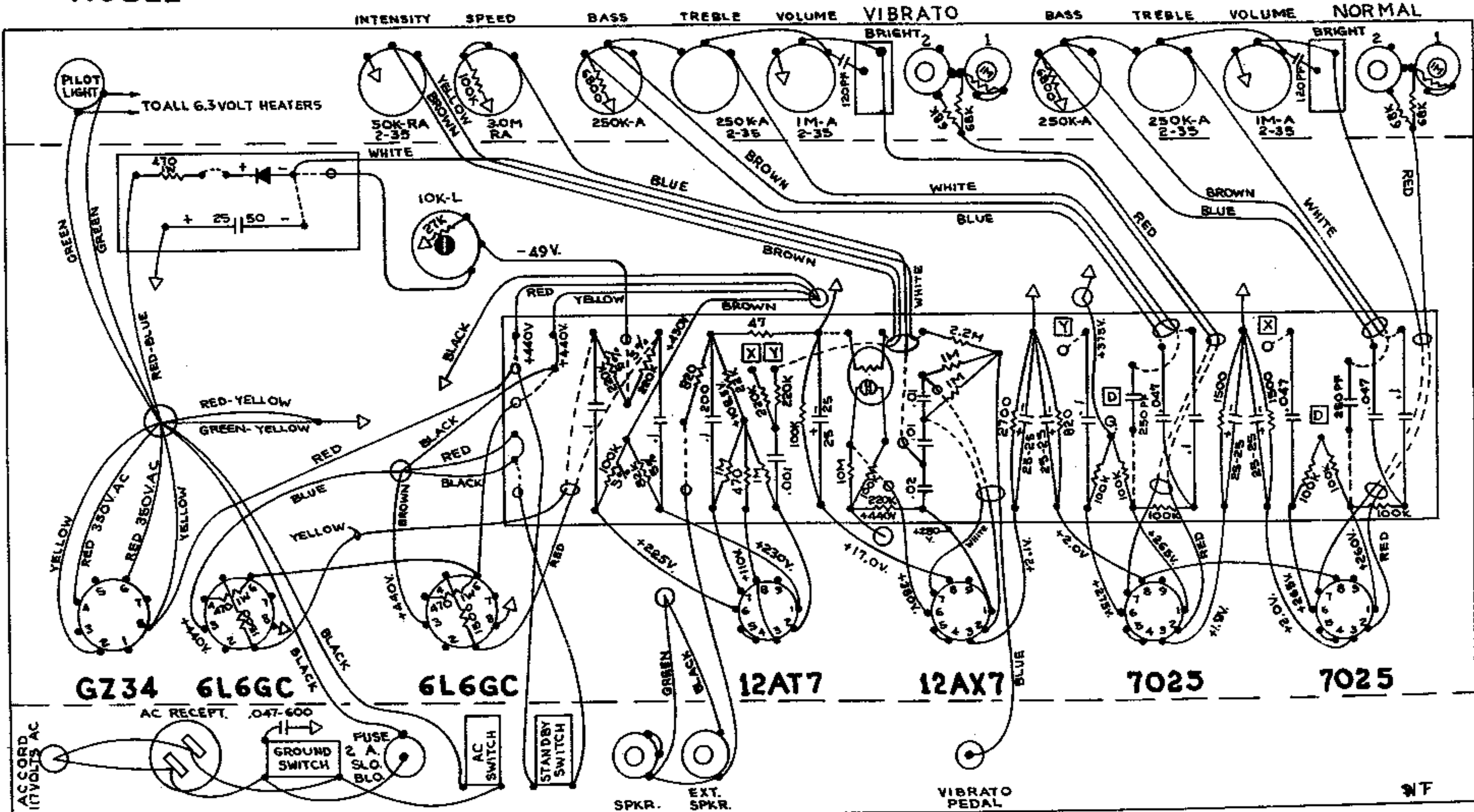
FENDER ELECTRIC INSTRUMENT COMPANY  
FULLERTON, CALIFORNIA  
U.S.A.

# FENDER MODEL "PRO-AMP AB 763" LAYOUT

C-FD

## NOTICE

VOLTAGES READ TO GROUND WITH ELECTRONIC  
VOLTMETER VALUES SHOWN + OR - 20%



NOTE-ALL RESISTORS 1/2 WATT, 10% TOLERANCE IF NOT SPECIFIED. NOTE- ALL CAPACITORS AT LEAST 400 VOLT RATING IF NOT SPECIFIED.  
FENDER ELECTRIC INSTRUMENT COMPANY  
FULLERTON, CALIFORNIA  
U.S.A.