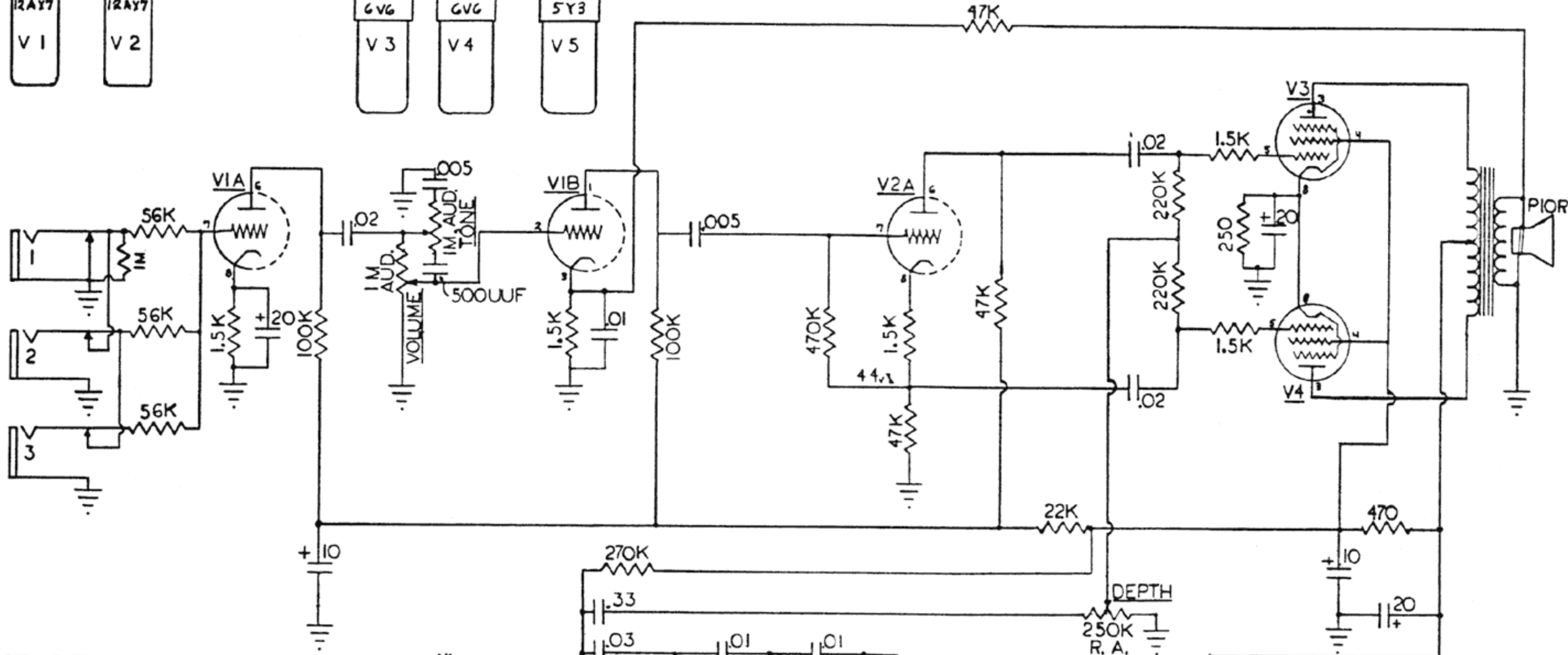
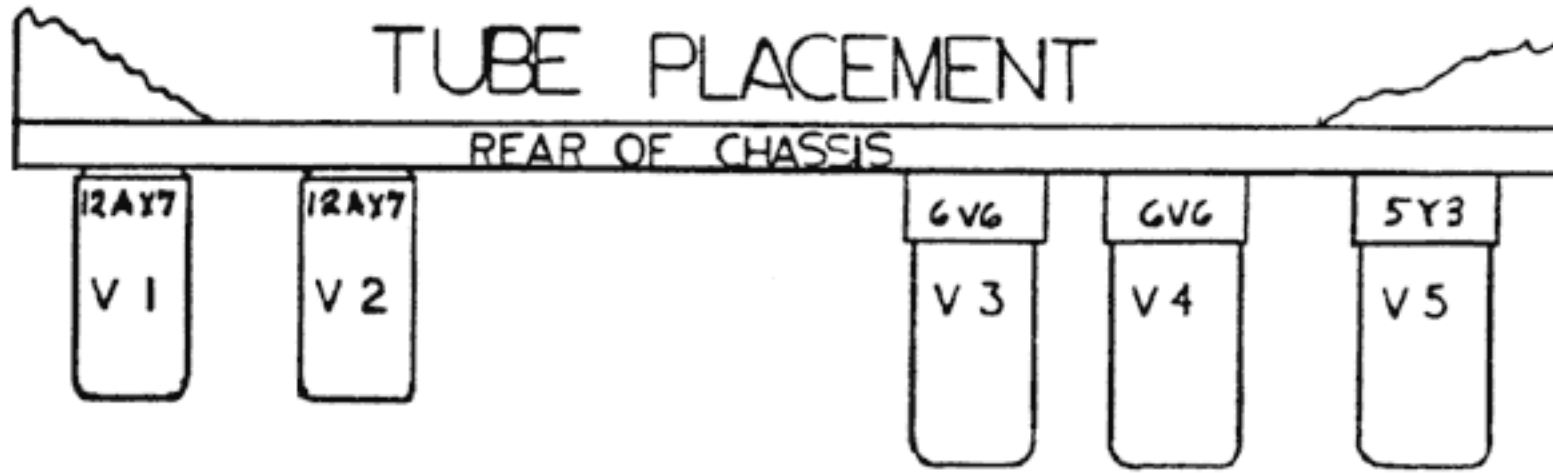


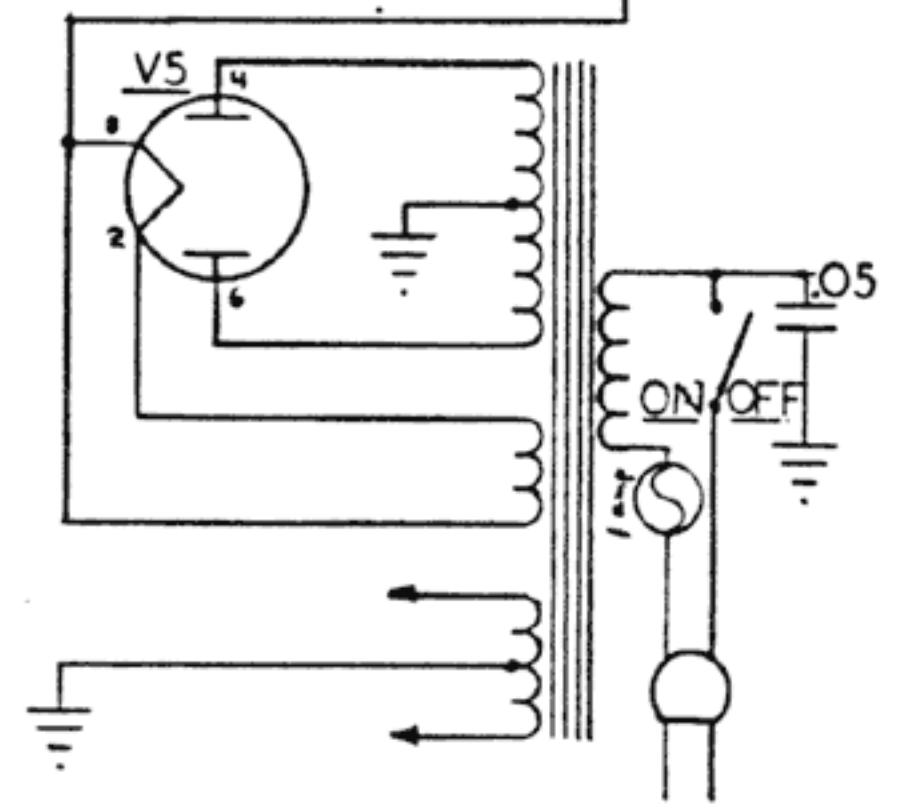
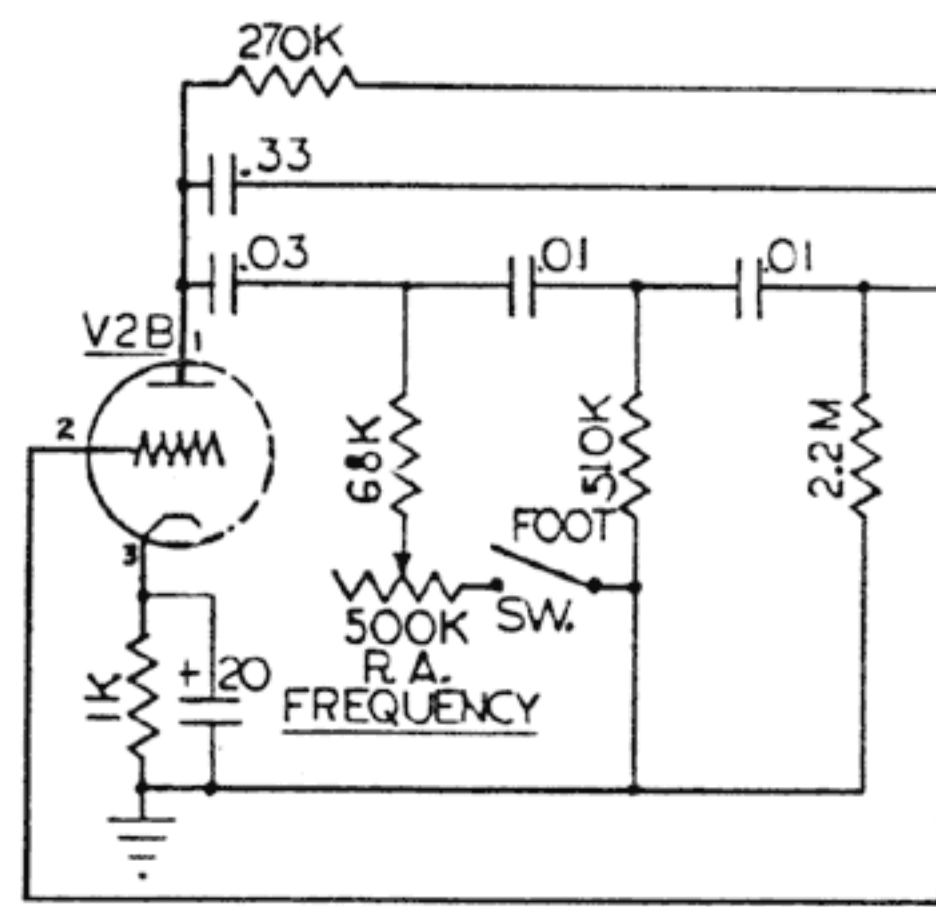
TUBE PLACEMENT

GA-16T



VOLTAGE CHART*

NO.	TUBE TYPE	PIN 1	PIN 2	PIN 3	PIN 4	PIN 6	PIN 7	PIN 8
V 1	12AX7	165	0	13	—	165	0	13
V 2	12AX7	100	0	.7	—	195	44	45
V 3	6V6	—	—	290	292	—	—	17.5
V 4	6V6	—	—	290	292	—	—	17.5
V 5	5Y3	—	5.2 AC	—	280 AC	280 AC	—	305



*ALL D.C. VOLTAGES MEASURED TO CHASSIS WITH 20,000 OHM/VOLT METER.