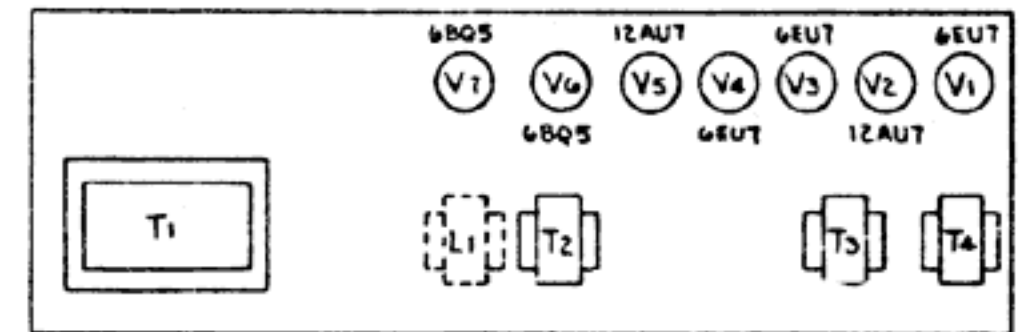
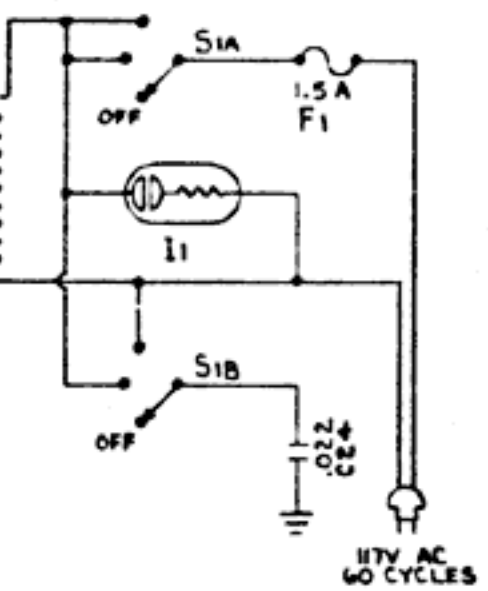
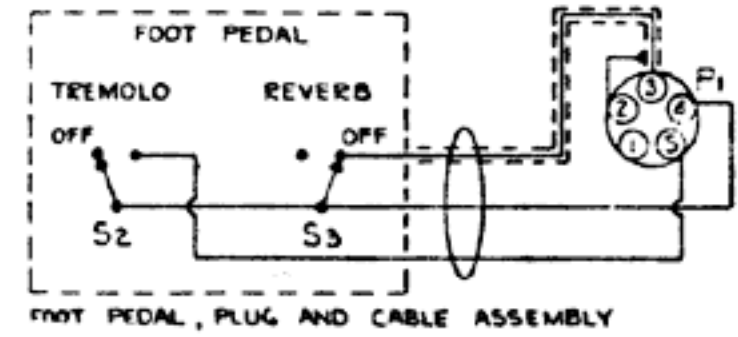
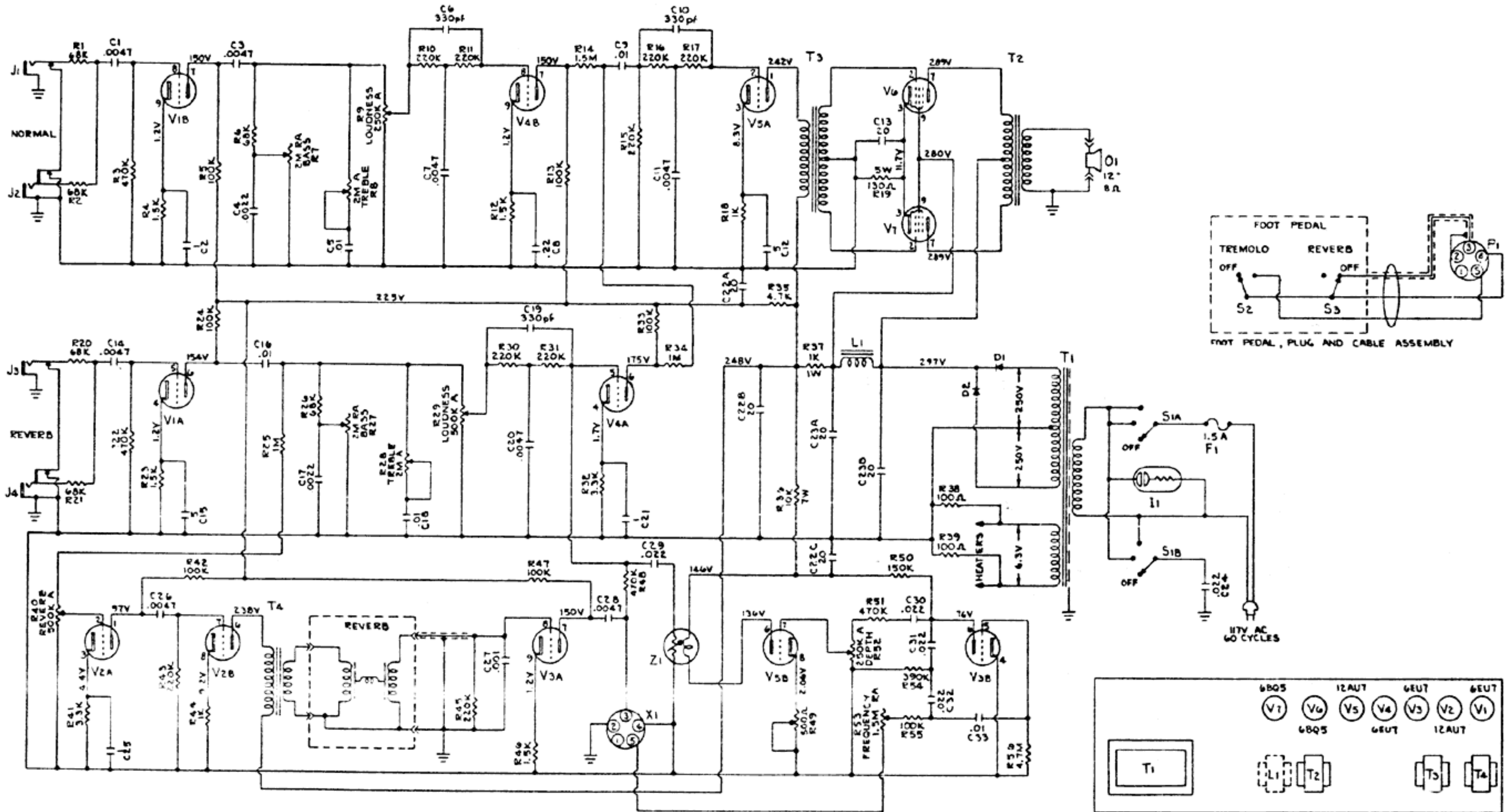


# GA-20RVT



- |        |             |                           |          |                |   |
|--------|-------------|---------------------------|----------|----------------|---|
| T1     | TF-105P-1   | Power Transformer         | R9, R52  | CBA-4008       | Control - 250K, Audio (Loudness & Depth)  |
| T2     | TF-50L-0    | Output Transformer        | R8, R28  | CBA-811-3702-1 | Control - 2 meg, Audio (Treble)           |
| T3     | TF-1001D-1  | PP Driver Transformer     | R29, R10 | CHA-4007       | Control - 500K, Audio (Loudness & Reverb) |
| T4     | TF-86L00    | Reverb Transformer        | R53      | CHA-11-3711-1  | Control - 1.5 meg, RA (Frequency)         |
| L1     | TP-1003-C   | Filter Choke              | R7, R27  | CBA-813-222-1  | Control - 2 meg, RA (Bass)                |
| S1A, B | SW-899-1    | Switch - SPST Rotary      | R19      | CR-21391       | Control - 500 ohm, W                      |
| S2, S3 | SW-2403     | Switches - SPST           |          |                |   |
| I1     | FL-35R      | Pilot Light (Neon) w/clip |          |                |   |
| X1     | CI-7°PCG-5  | Foot Pedal Socket         |          |                |   |
| F1     | CI-91MPY-SL | Foot Pedal Plug           |          |                |   |
| D1, D2 | DI-104      | Diode - 800 PIV           |          |                |   |