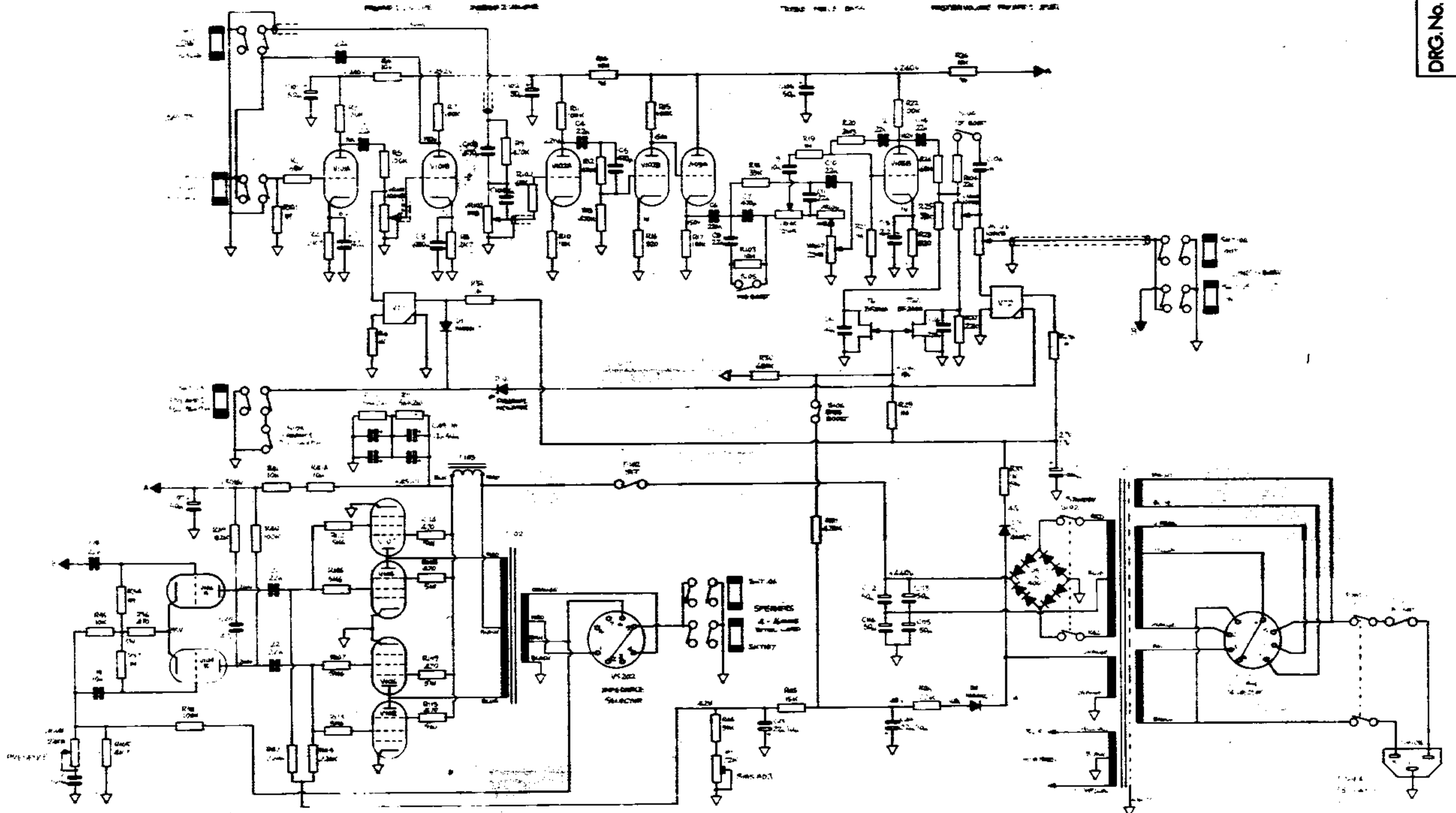


PART OF

DO NOT SCALE

SHEET OF

DRG. No. 1057



ISSUE	DESCRIPTION	APPD.	DATE

LANEY AMPLIFICATION LTD

TITLE

A 100H CIRCUIT

DESIGN	TRACED	CHECKED	APPROVED	DATE
DEH	DEH			1/3/84
DRAWING No. 1057				