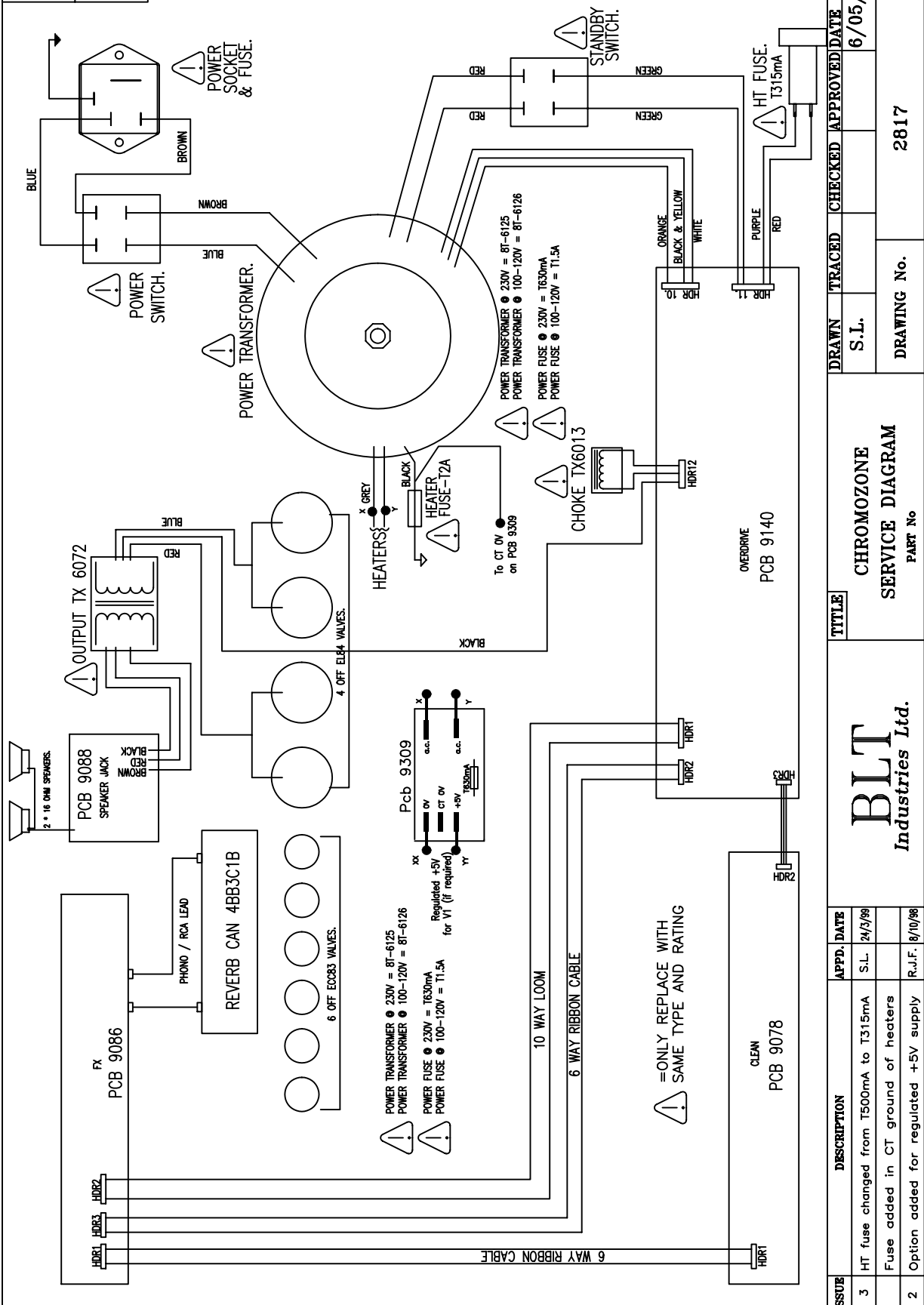


Laney

Service Diagrams

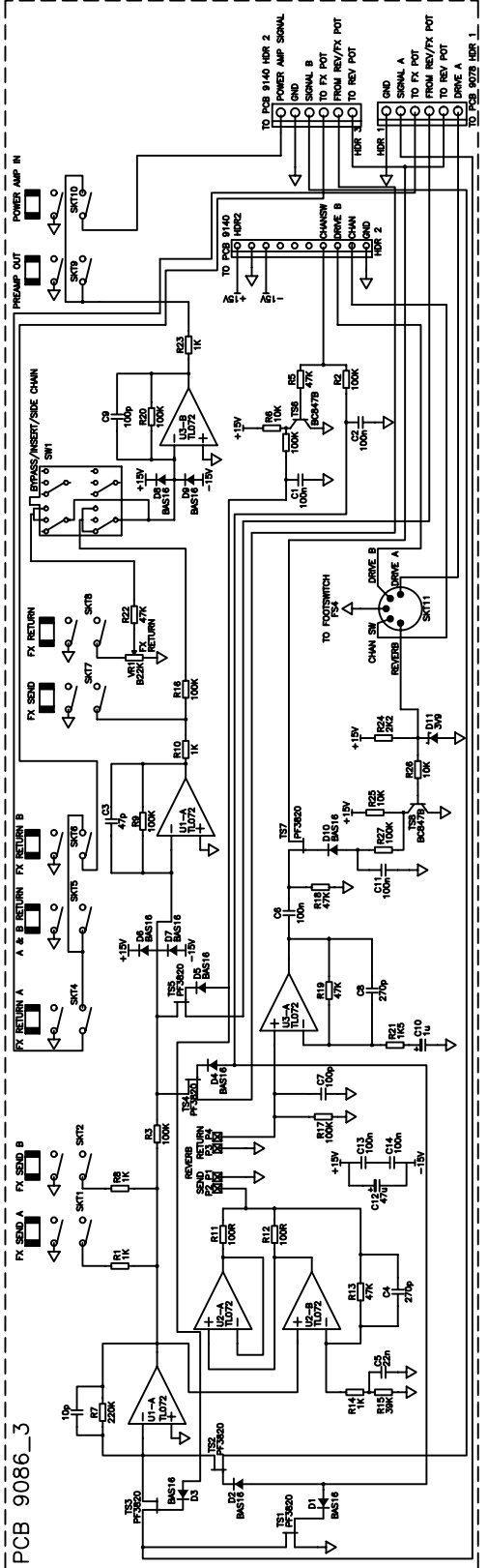
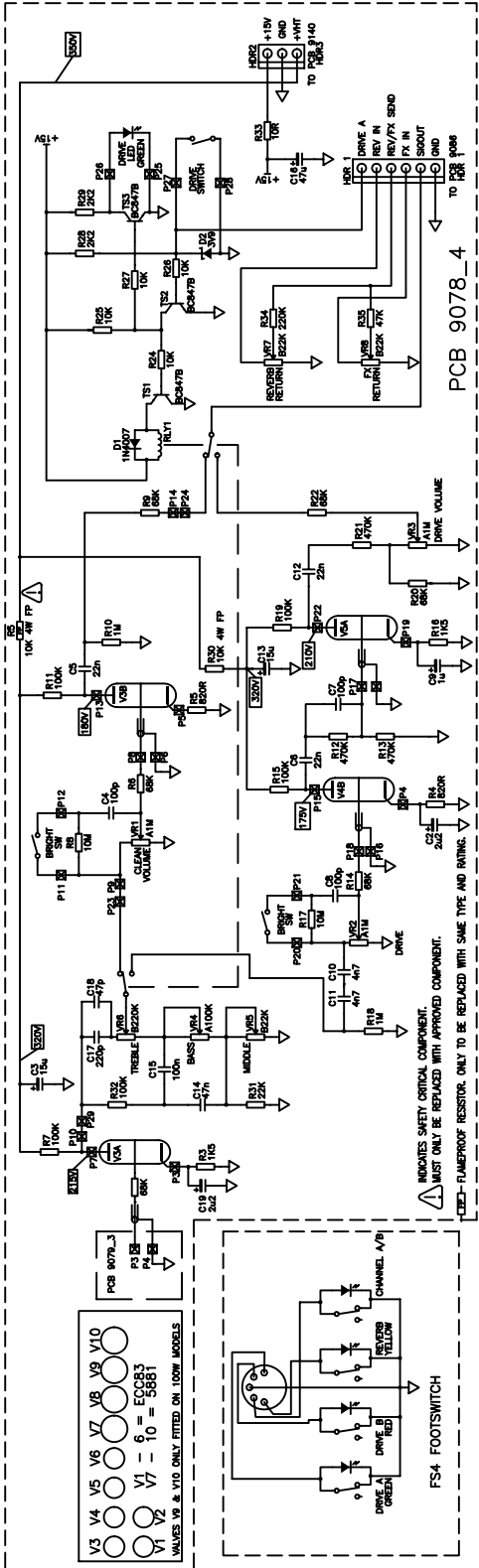


! = ONLY REPLACE WITH SAME TYPE AND RATING

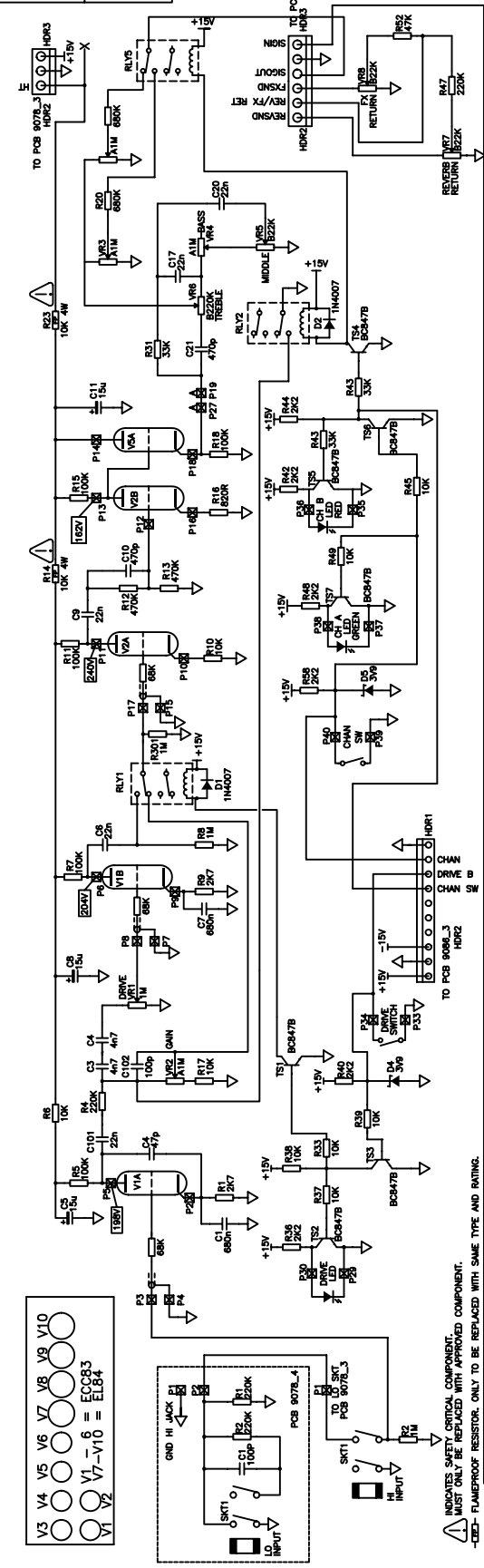
ISSUE	DESCRIPTION	APPD. DATE	TITLE	DRAWN	TRACED	CHECKED	APPROVED	DATE
3	HT fuse changed from T500mA to T315mA	S.L.	CHROMOZONE SERVICE DIAGRAM	S.L.				6/05/98
	Fuse added in CT ground of heaters							
2	Option added for regulated +5V supply	R.u.F.						

BLT
Industries Ltd.

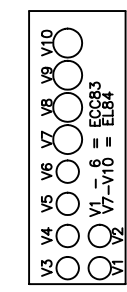
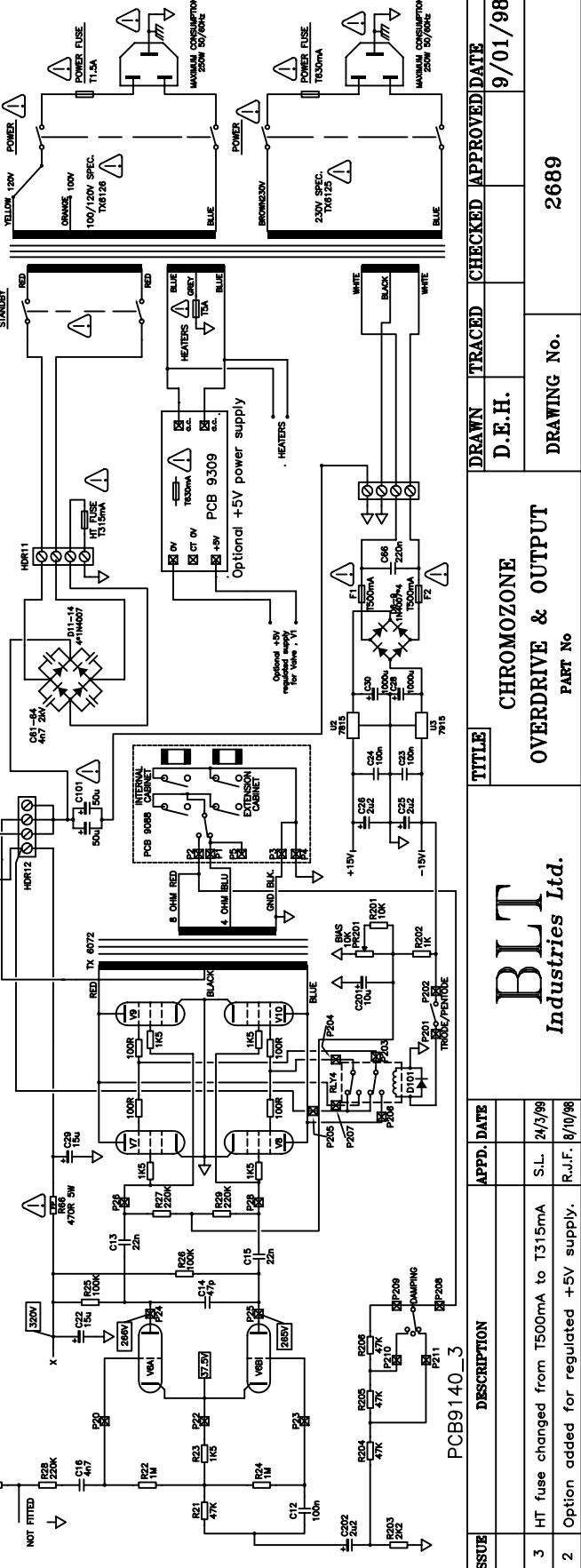
PART No. 2817
DRAWING No. 2817



ISSUE	DESCRIPTION	APPD. DATE	TITLE	DRAWN	TRACED	CHECKED	APPROVED/DATE
			CHROMOZONE CLEAN & FX CIRCUIT	S.L.			09/01/98
			BLT Industries Ltd.				
			PART No				
			DRAWING No.				2702

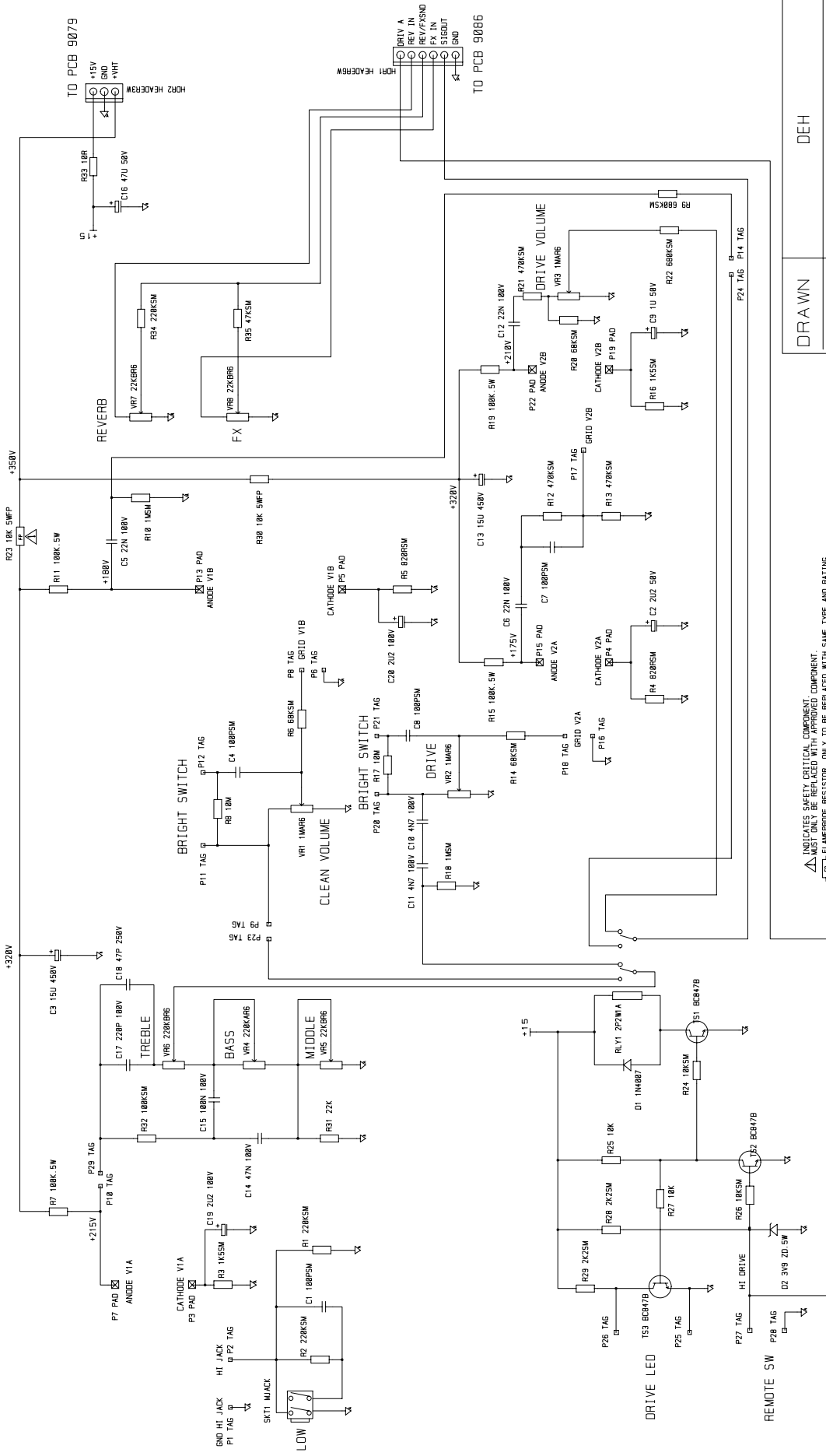


INDICATES SAFETY CRITICAL COMPONENT. MUST ONLY BE REPLACED WITH APPROVED COMPONENT.
 -CB- FLAMEPROOF RESISTOR. ONLY TO BE REPLACED WITH SAME TYPE AND RATING.



ISSUE	DESCRIPTION	APPD. DATE	TITLE
3	HT fuse changed from T500mA to T315mA	S.L. 24/5/99	CHROMOZONE OVERDRIVE & OUTPUT PART No.
2	Option added for regulated +5V supply.	R.w.J.F. 8/10/98	CHROMOZONE OVERDRIVE & OUTPUT PART No.

BLT
Industries Ltd.

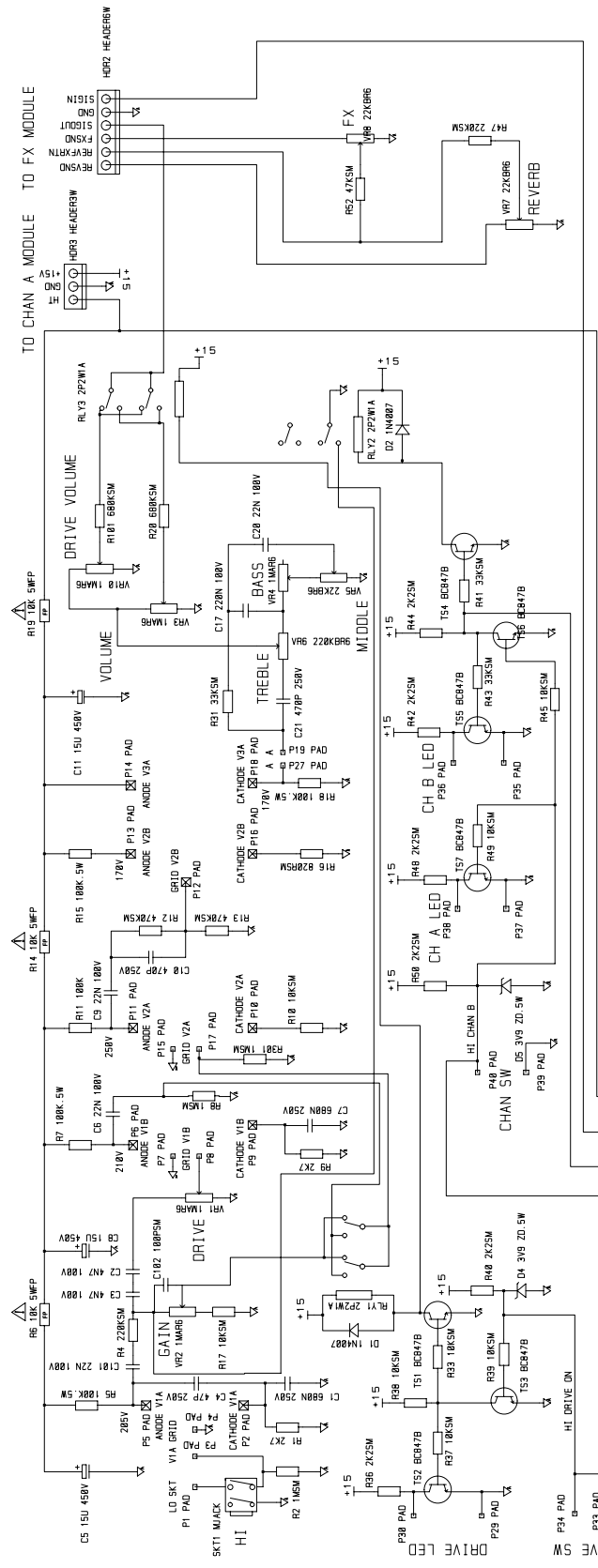


⚠ INDICATES SAFETY CRITICAL COMPONENT. MUST ONLY BE REPLACED WITH APPROVED COMPONENT.
 ⚡ FLAMEPROOF RESISTOR. ONLY TO BE REPLACED WITH SAME TYPE AND RATING.

DRAWN	DEH
DATE	25/07/95
TITLE	4 CHANNEL VALVE AMP CLEAN CHANNEL
DRW. NO.	9078_4

ISSUE	C19/28 2U2 ADDED 26/07/95 R23/30 10K 1W CF TO 5W W/ FP 26/07/95
TYPE	

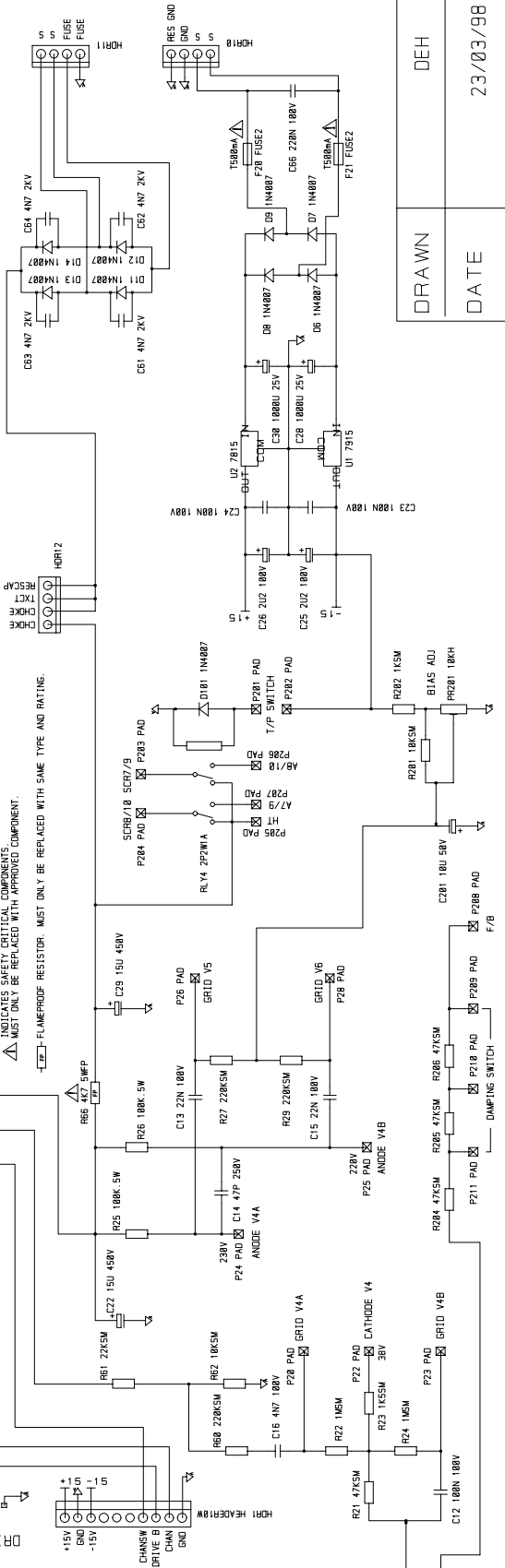
TO CHAN A MODULE TO FX MODULE



INDICATES SAFETY CRITICAL COMPONENTS. MUST ONLY BE REPLACED WITH APPROVED COMPONENT.

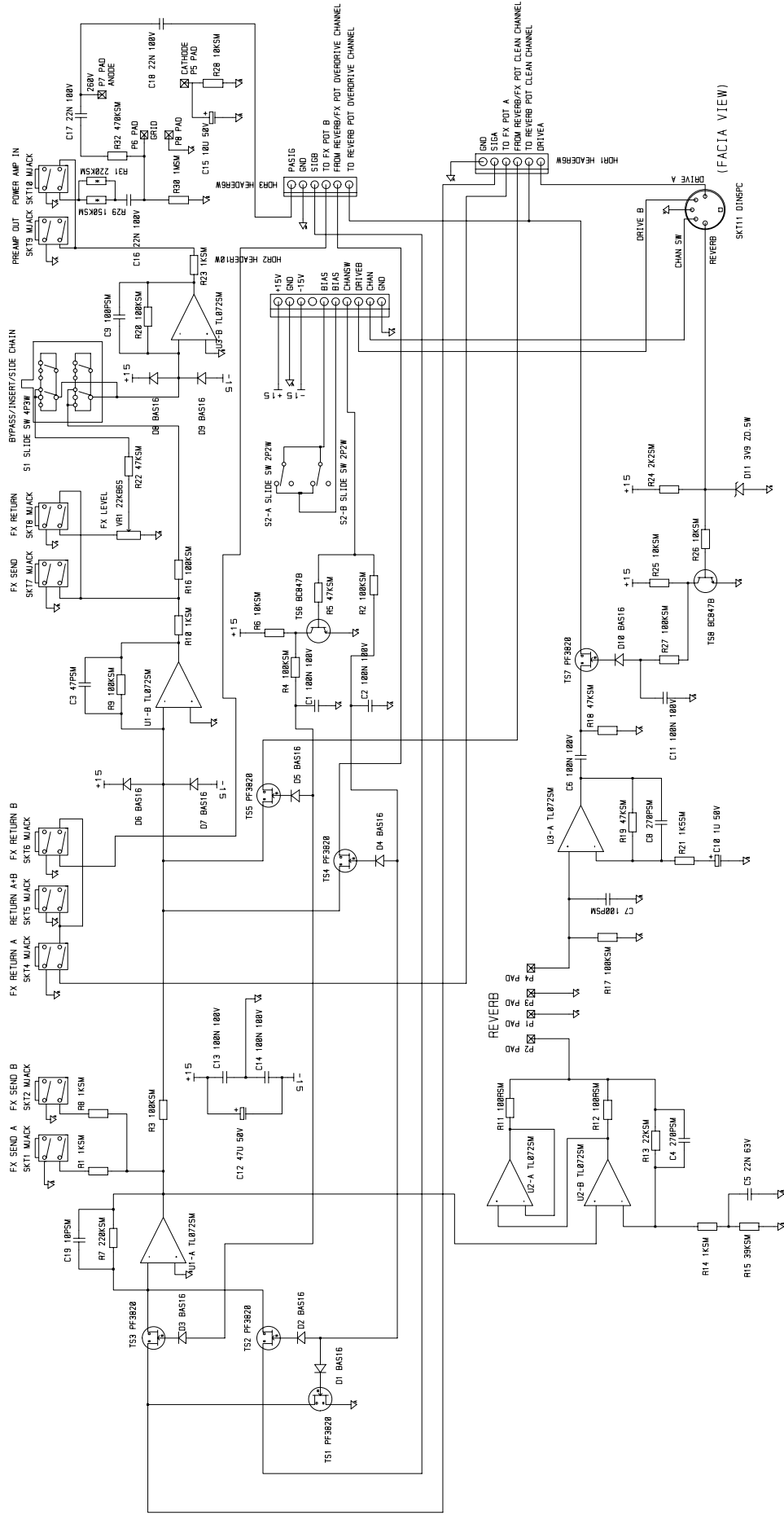
FLAMEPROOF RESISTOR. MUST ONLY BE REPLACED WITH SAME TYPE AND RATING.

TO FX MODULE



DRAWN	DEH
DATE	23/03/98
TITLE	CHROME-0-ZONE
ISSUE	
TYPE	
DRW. NO.	9140_3

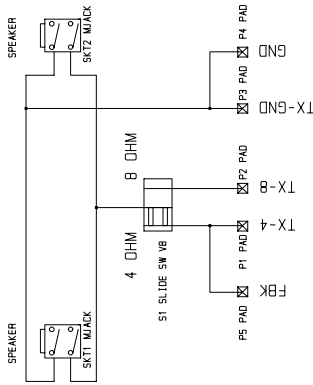
* Note R69 not fitted on 59W models
R51 not fitted on 108W models



DRAWN	DEH
DATE	25/07/95
TITLE	4 CHANNEL VALVE AMP FX MODULE
DRW. NO.	9086-4

ISSUE C19 ADDED 19/04/95
R13 47K TO 22K 19/04/95

TYPE



DRAWN	DEH
DATE	14/03/95
TITLE	VC50 SPEAKER JACK PCB
DRW. NO.	9088

ISSUE

TYPE

