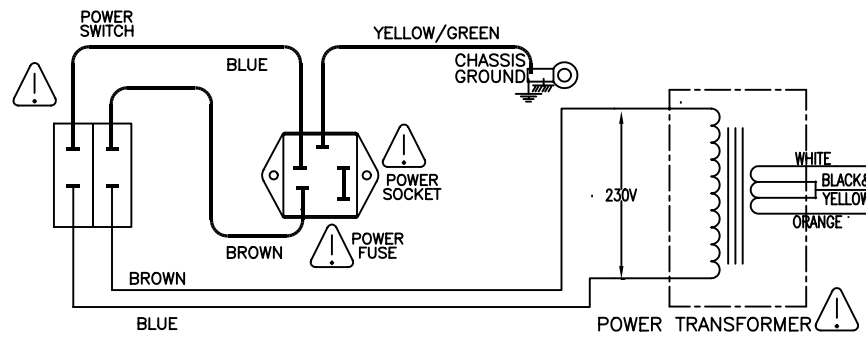
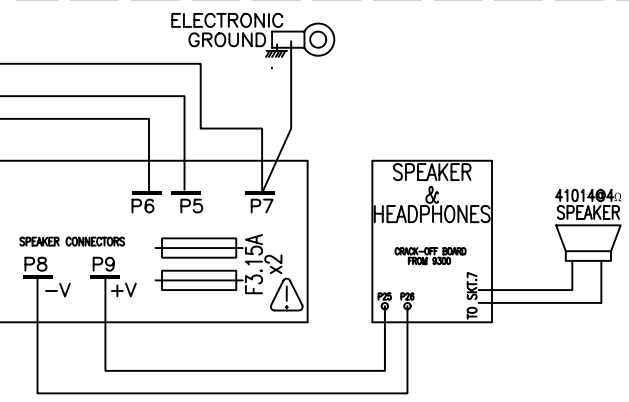
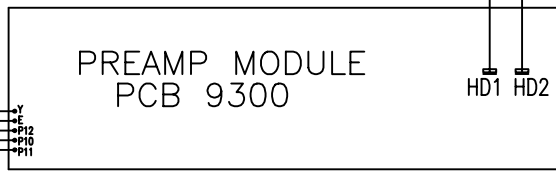
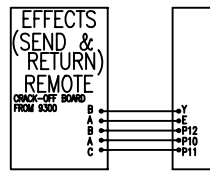
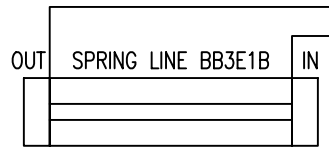
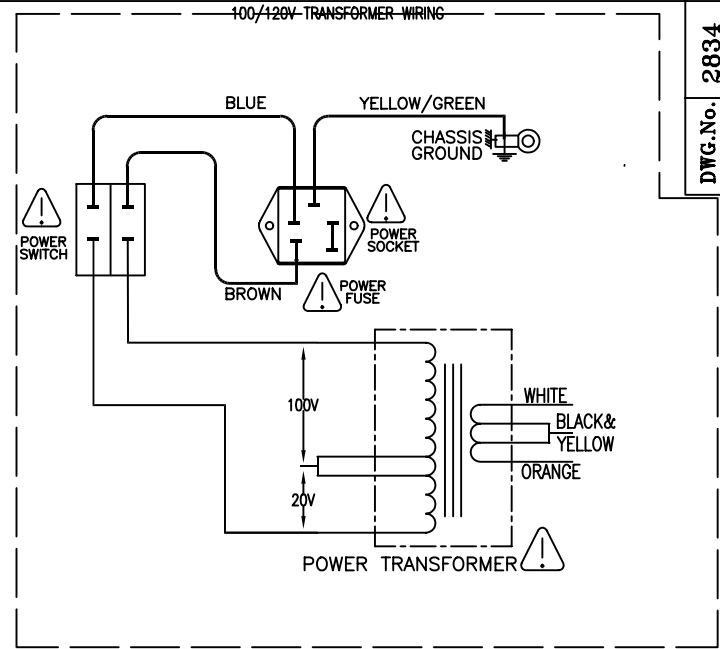


Laney

Service Diagrams

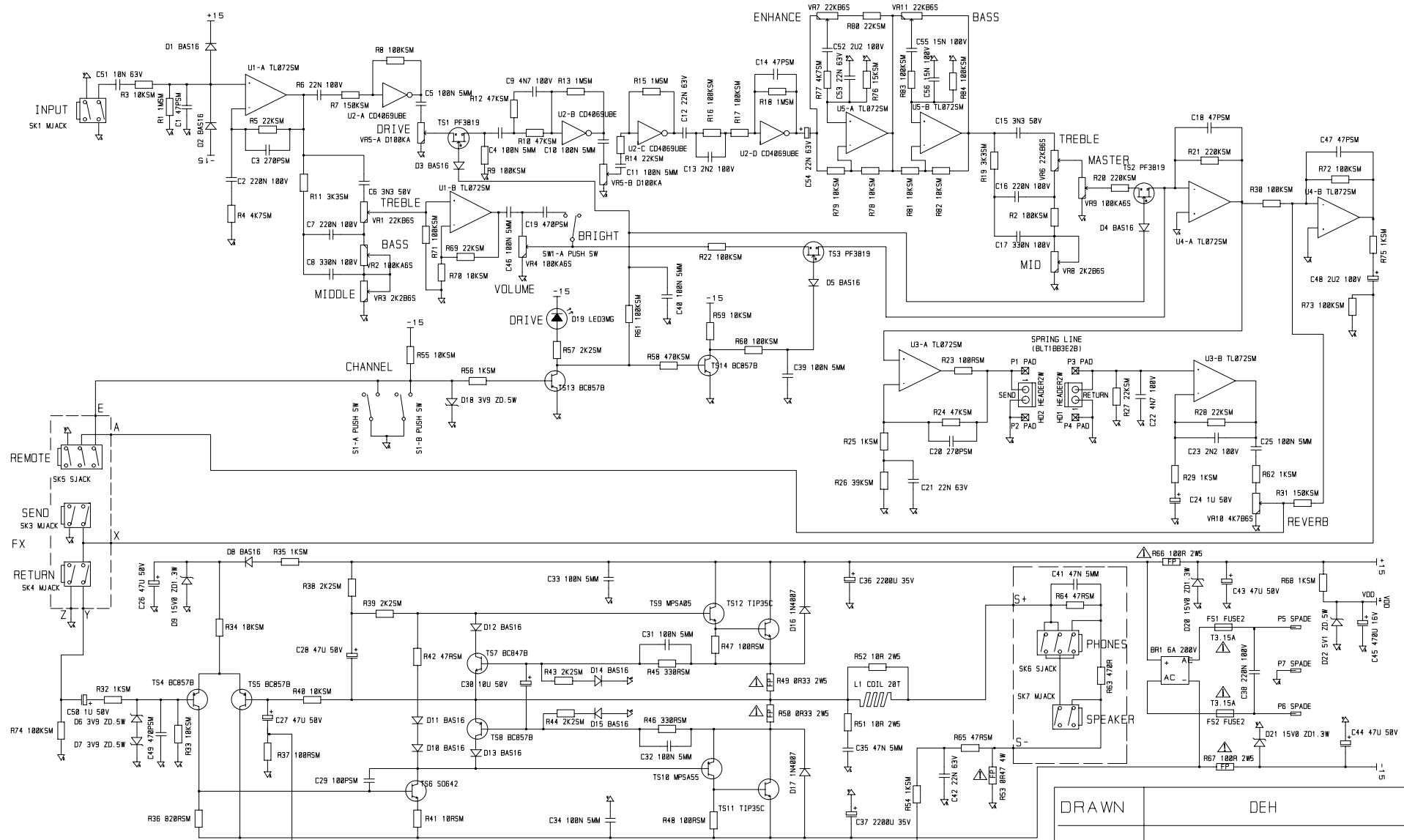


- ⚠ POWER FUSE @ 230V = T1A
- ⚠ POWER FUSE @ 115V = T2A
- ⚠ POWER TRANSFORMER @ 230V = 6111
- ⚠ POWER TRANSFORMER @ 115V = 6066



⚠ =ONLY REPLACE WITH SAME TYPE AND RATING

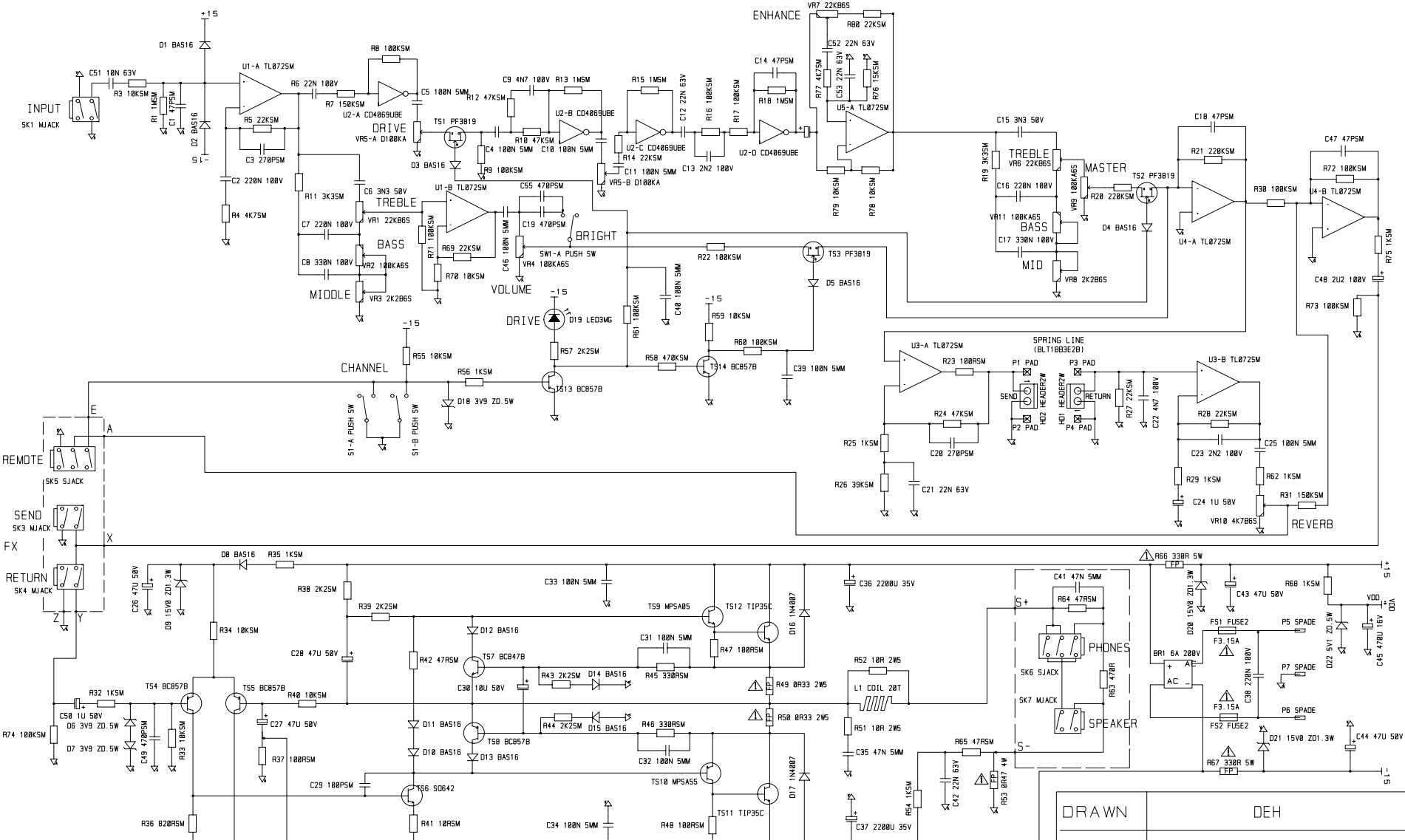
ISSUE	DESCRIPTION	APPD.	DATE	TITLE	DRAWN	TRACED	CHECKED	APPROVED	DATE
				<p align="center">BLT Industries Ltd.</p>	<p align="center">TF100 SERVICE DIAGRAM PART No</p>	S.L.			25/06/98
						DRAWING No.	2834		



▲ INDICATES SAFETY CRITICAL COMPONENT
 MUST ONLY BE REPLACED WITH APPROVED COMPONENT
 -FP- FLAMEPROOF RESISTOR MUST ONLY BE REPLACED WITH SAME TYPE AND RATING

DRAWN	DEH
DATE	20/05/98
TITLE	TF100
DRW. NO.	9300

ISSUE	2 20/05/98						
TYPE							



▲ INDICATES SAFETY CRITICAL COMPONENT
 MUST ONLY BE REPLACED WITH APPROVED COMPONENT
 [FP] FLAMEPROOF RESISTOR MUST ONLY BE REPLACED WITH SAME TYPE AND RATING

DRAWN	DEH
DATE	20/05/98
TITLE	TF100
DRW. NO.	9300

ISSUE	3 26/6/98	3 23/9/98					
TYPE	C55 ADDED SEE CHANGE NOTE 157 26/6/98	BASS CONTROL RECTIFIED SEE CHANGE NOTE 180 23/9/98					