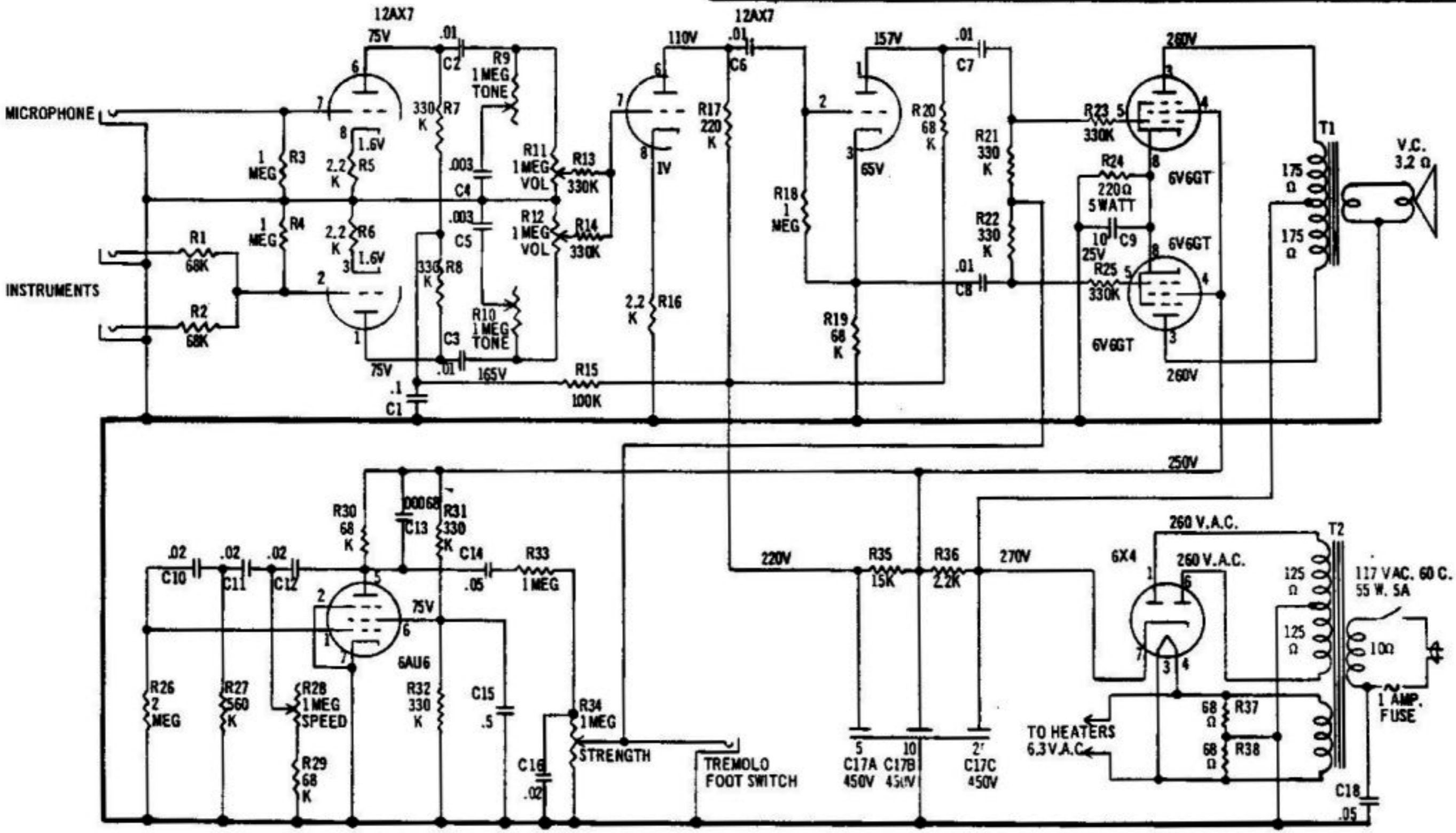
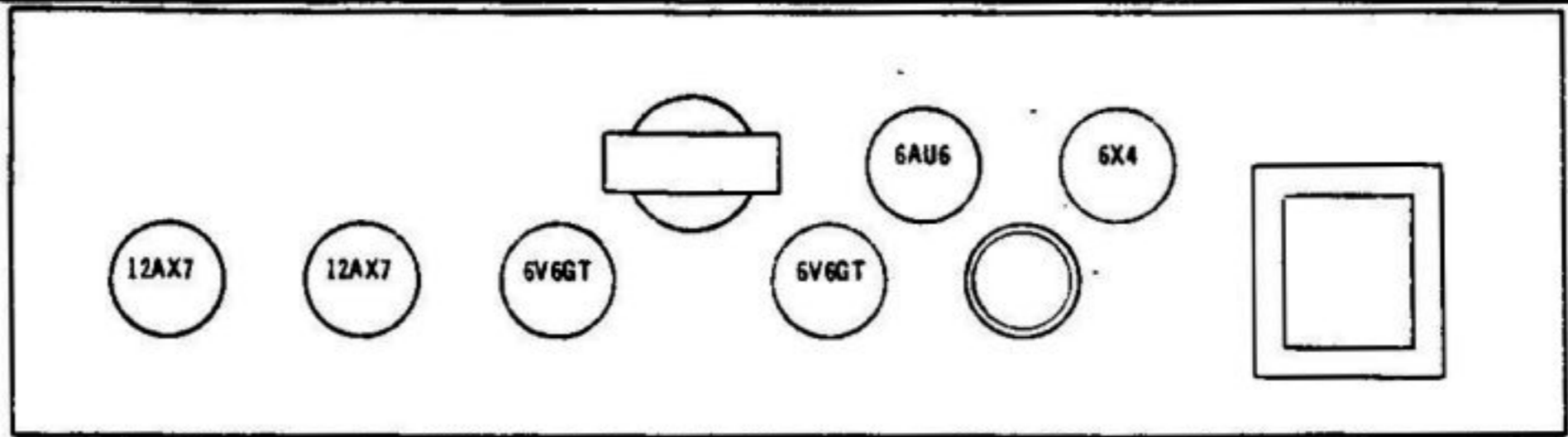


1. VALUES OF CAPACITORS IN MFD.
2. ALL RESISTORS ARE 1/2 WATT UNLESS OTHERWISE NOTED.
3. VOLTAGES MEASURED FROM POINTS INDICATED TO CHASSIS WITH 20,000 OHM/VOLT METER.



SILVERTONE MODEL 1472 (CH. 185.10210)

Schematic Diagram Courtesy of Sears, Roebuck & Company