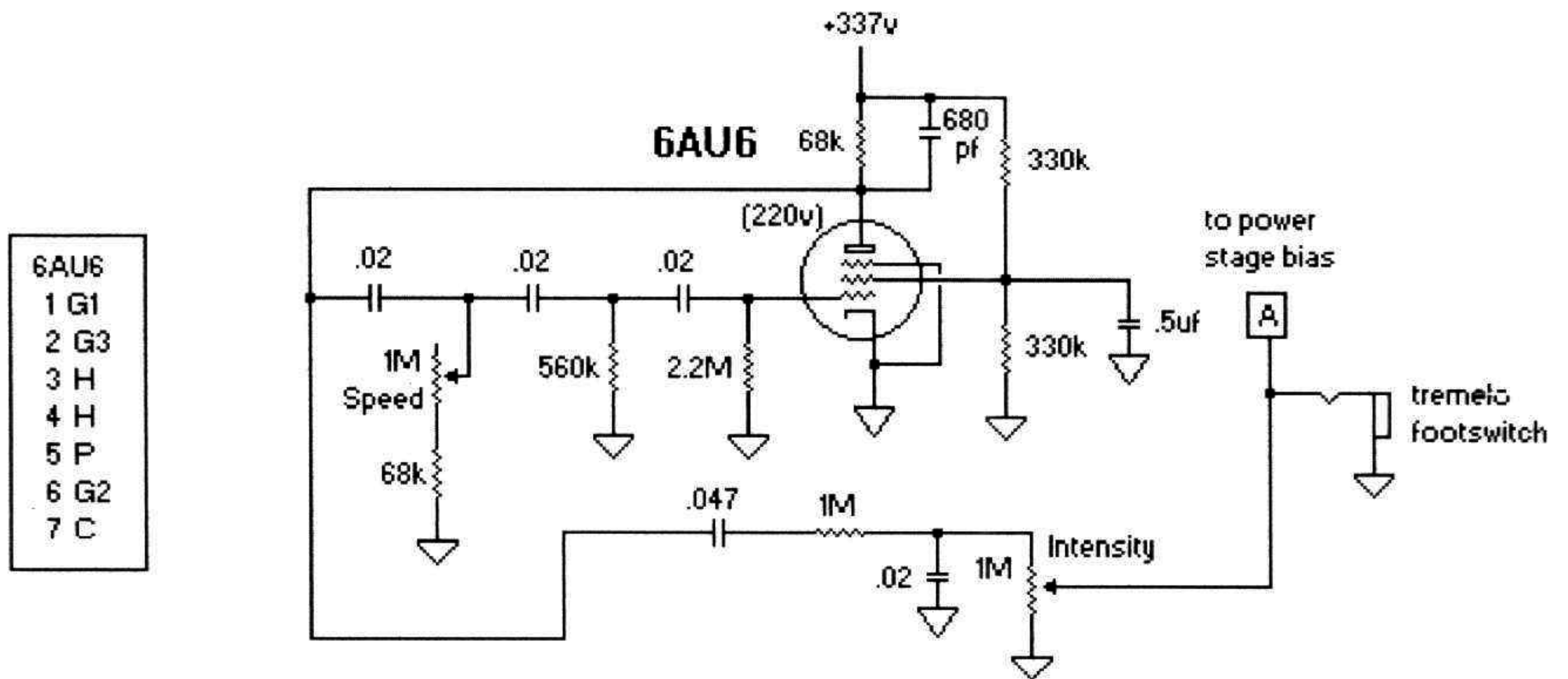
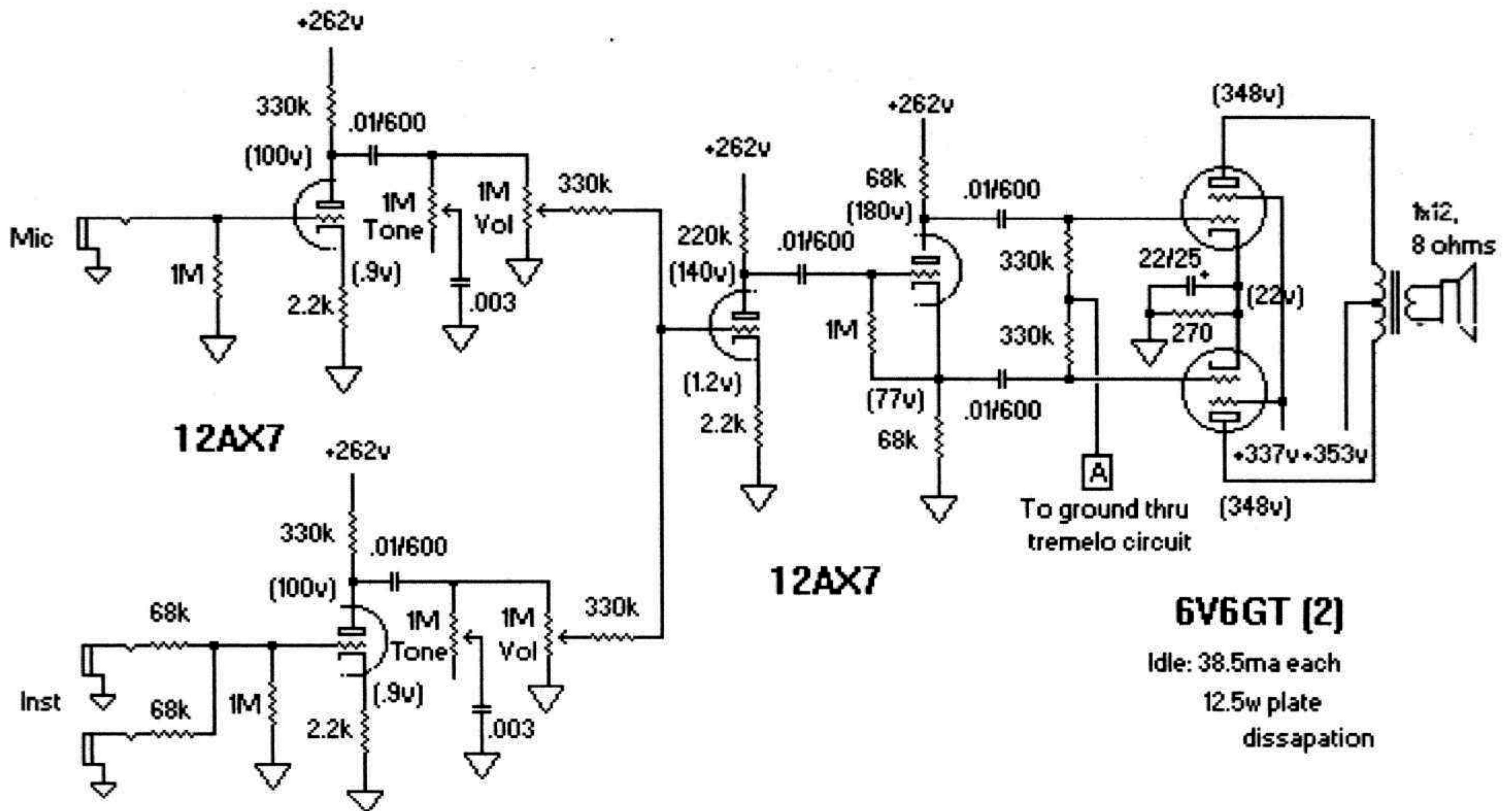
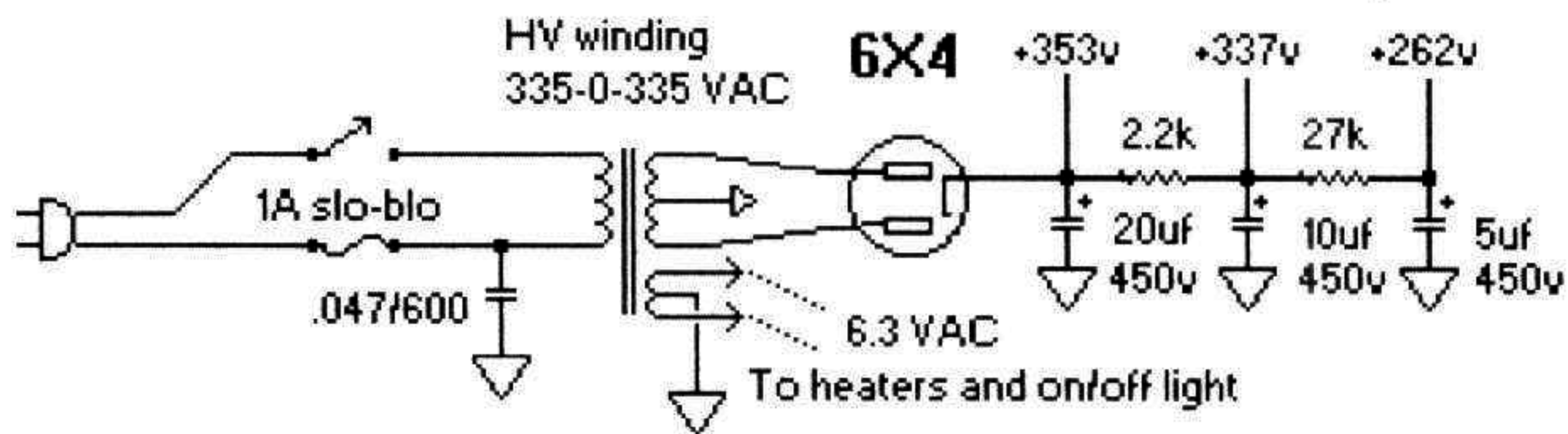


# Silvertone Model 1482



- |      |
|------|
| 6AU6 |
| 1 G1 |
| 2 G3 |
| 3 H  |
| 4 H  |
| 5 P  |
| 6 G2 |
| 7 C  |



1. VALUES OF CAPACITORS IN MFD.

2. ALL RESISTORS ARE 1/2 WATT UNLESS OTHERWISE NOTED.

3. VOLTAGES MEASURED FROM POINTS INDICATED TO CHASSIS WITH 20,000 OHM/VOLT METER.

