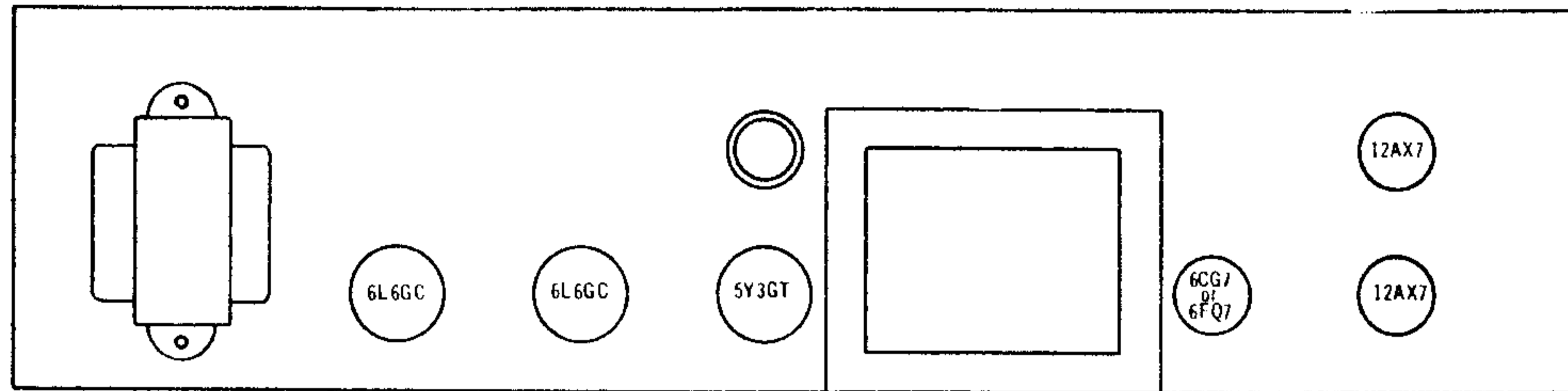
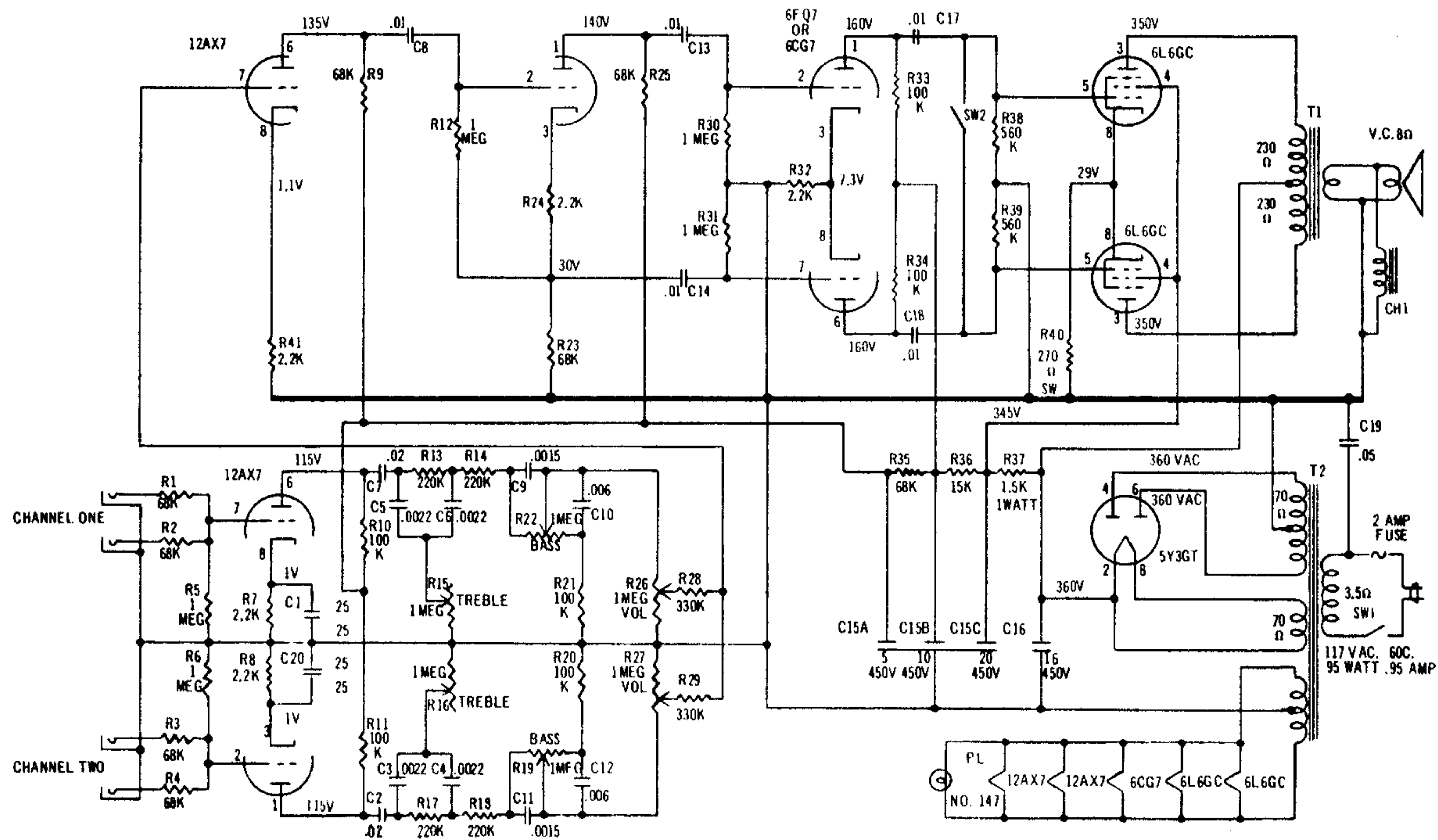


**NOTES:**

1. VALUES OF CAPACITORS IN MFD.
2. ALL RESISTORS ARE 1/2 WATT UNLESS OTHERWISE NOTED.
3. VOLTAGES MEASURED FROM POINTS INDICATED TO CHASSIS WITH 20,000 OHM/VOLT METER.



TUBE LAYOUT



**SILVERTONE MUSICAL INSTRUMENT AMPLIFIER  
MODEL 1483 (CH. 185. 11030)**

**COURTESY OF SEARS, ROEBUCK & CO.**