

FENDER "PRO-REVERB-AMP AA165" SCHEMATIC

NOTICE

THIS PRODUCT MANUFACTURED UNDER ONE OR MORE OF THE FOLLOWING U.S. PATENTS -
 CIRCUIT PATENT # 2817108, # 2973661
 DESIGN PATENT # 199889
 PATENTS PENDING

D-FE

1. VOLTAGES READ TO GROUND WITH ELECTRONIC VOLTMETER VALUES SHOWN + OR - 20 %
2. ALL RESISTORS 1/2 WATT 10% TOLERANCE IF NOT SPECIFIED.
3. ALL CAPACITORS AT LEAST 400 VOLT RATING IF NOT SPECIFIED

NORMAL

VIBRATO

6L6GC

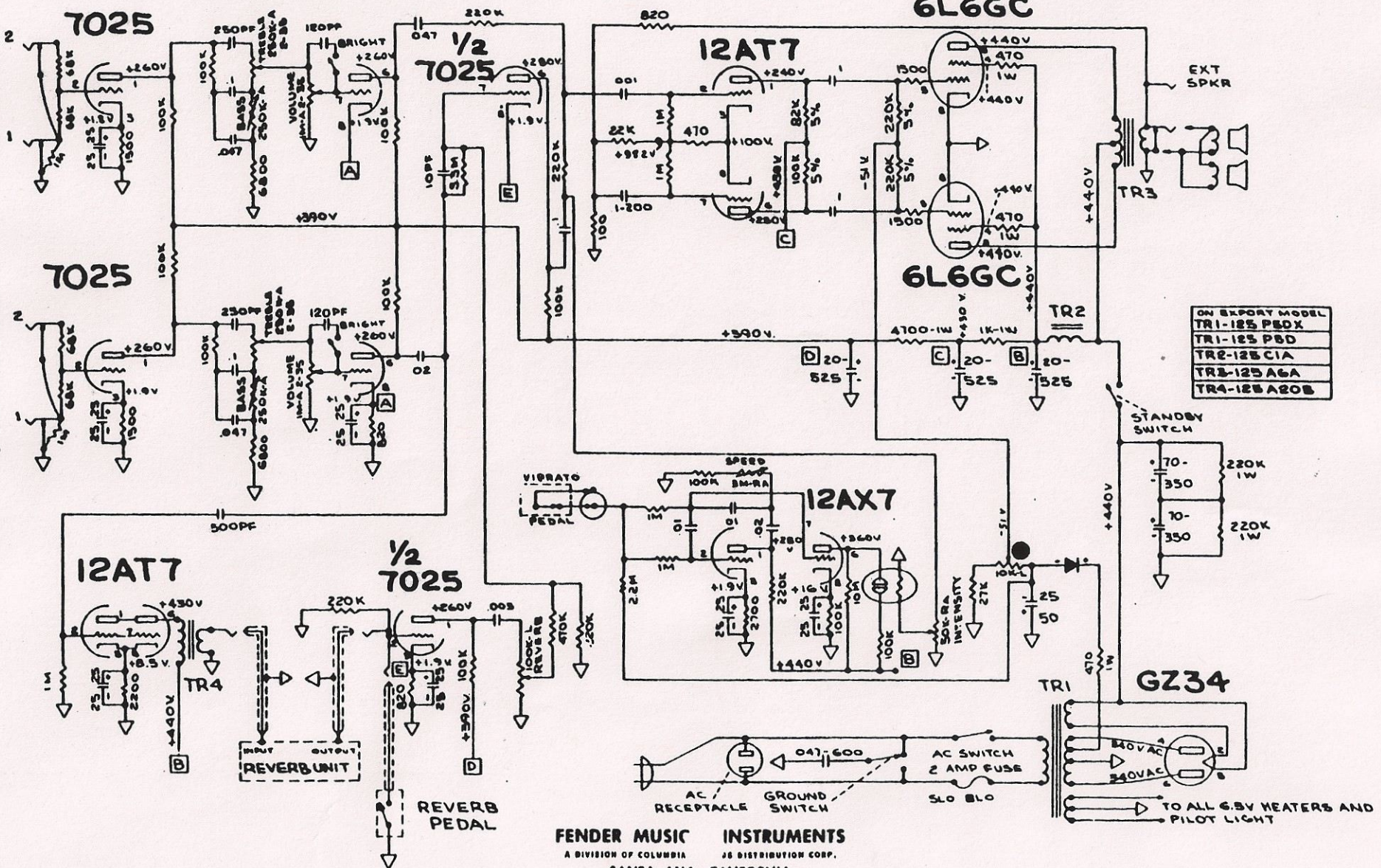
12AT7

6L6GC

12AX7

GZ34

ON EXPORT MODEL
TR1-125 PBD
TR1-125 PBD
TR2-125 CIA
TR3-125 A6A
TR4-125 A20B



FENDER MUSIC INSTRUMENTS
 A DIVISION OF COLUMBIA J&B DISTRIBUTION CORP.
 SANTA ANA CALIFORNIA