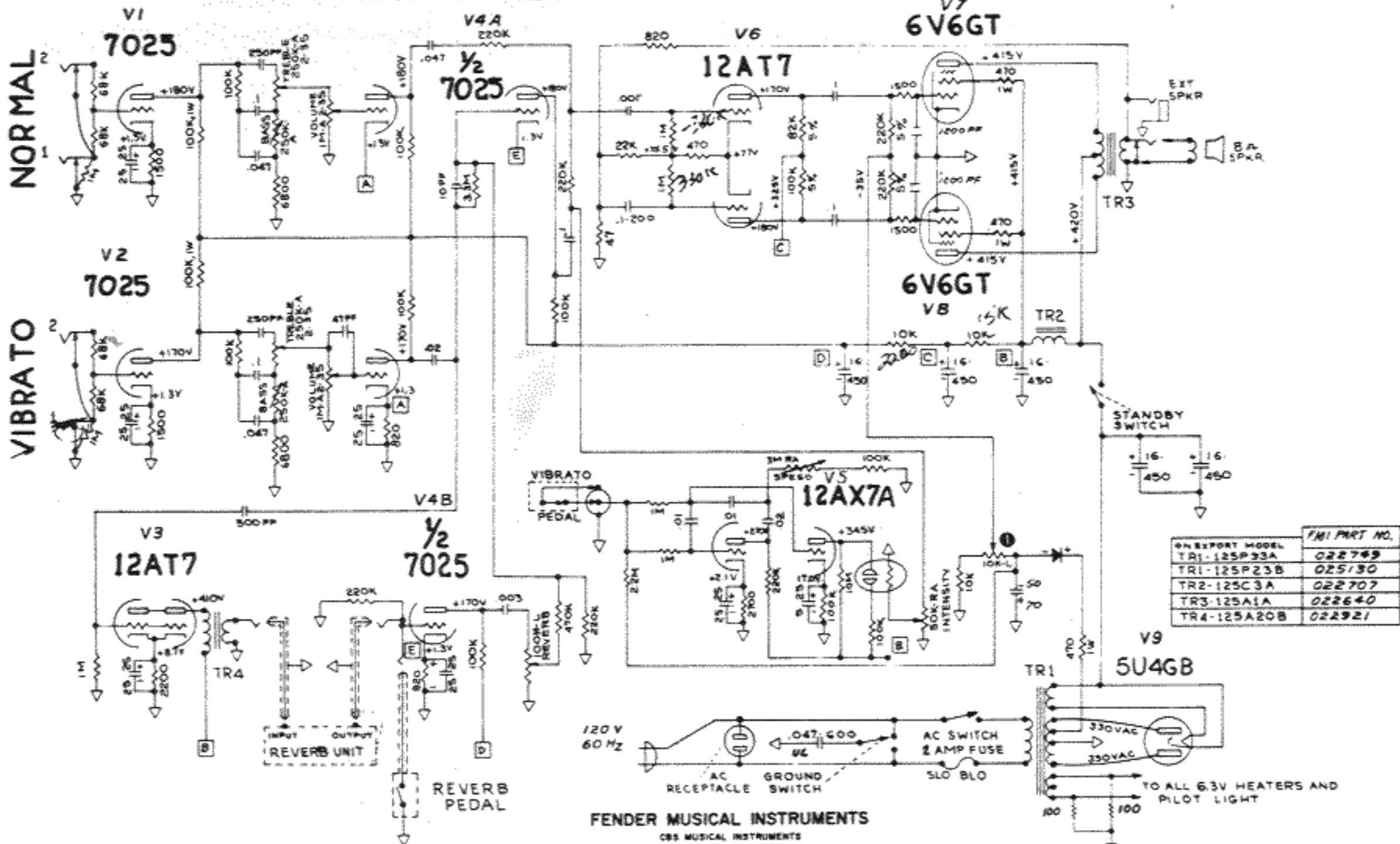


FENDER "DELUXE REVERB-AMP AB 868" SCHEMATIC NOTICE

THIS PRODUCT MANUFACTURED UNDER ONE OR MORE OF THE FOLLOWING U.S. PATENTS: CIRCUIT PATENT #2817708, #2973681 DESIGN PATENT #192859

- 1 - VOLTAGES READ TO GROUND WITH ELECTRONIC VOLTMETER VALUES SHOWN + OR - 20%
- 2 - ALL RESISTORS 1/2 WATT 10% TOLERANCE IF NOT SPECIFIED
- 3 - ALL CAPACITORS AT LEAST 400VOLT RATING IF NOT SPECIFIED



EXPORT MODEL	FBI PART NO.
TR1-125P33A	022769
TR1-125P23B	025130
TR2-125C3A	022707
TR3-125A1A	022640
TR4-125A20B	022921

FENDER MUSICAL INSTRUMENTS
 CBS MUSICAL INSTRUMENTS
 A DIVISION OF COLUMBIA BROADCASTING SYSTEMS INC.
 FULLERTON CALIFORNIA
 U.S.A.

DWN	R. Rivera	REV	5-24-68	MUSICAL INSTRUMENTS SANTA ANA, CALIFORNIA					
CHK		DWG. TITLE	SCHMATIC & WIRING DIAGRAM						
APPD			DELUXE REV-AMP AB 868						
APPD									
APPROVAL -		REL. NO.	520	SIZE	D	DWG. NO.	045450	REV.	C
APPROVAL -	V. A. LF	SCALE	None	MODEL	DELUXE REV-AMP	TUBE TYPE	12A7	SHEET	1