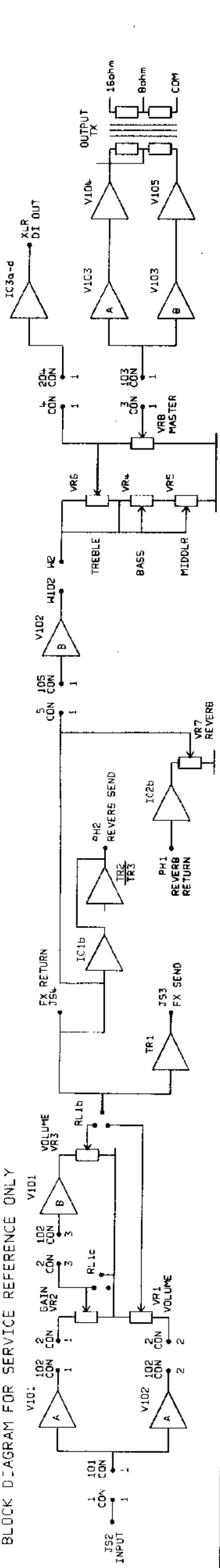


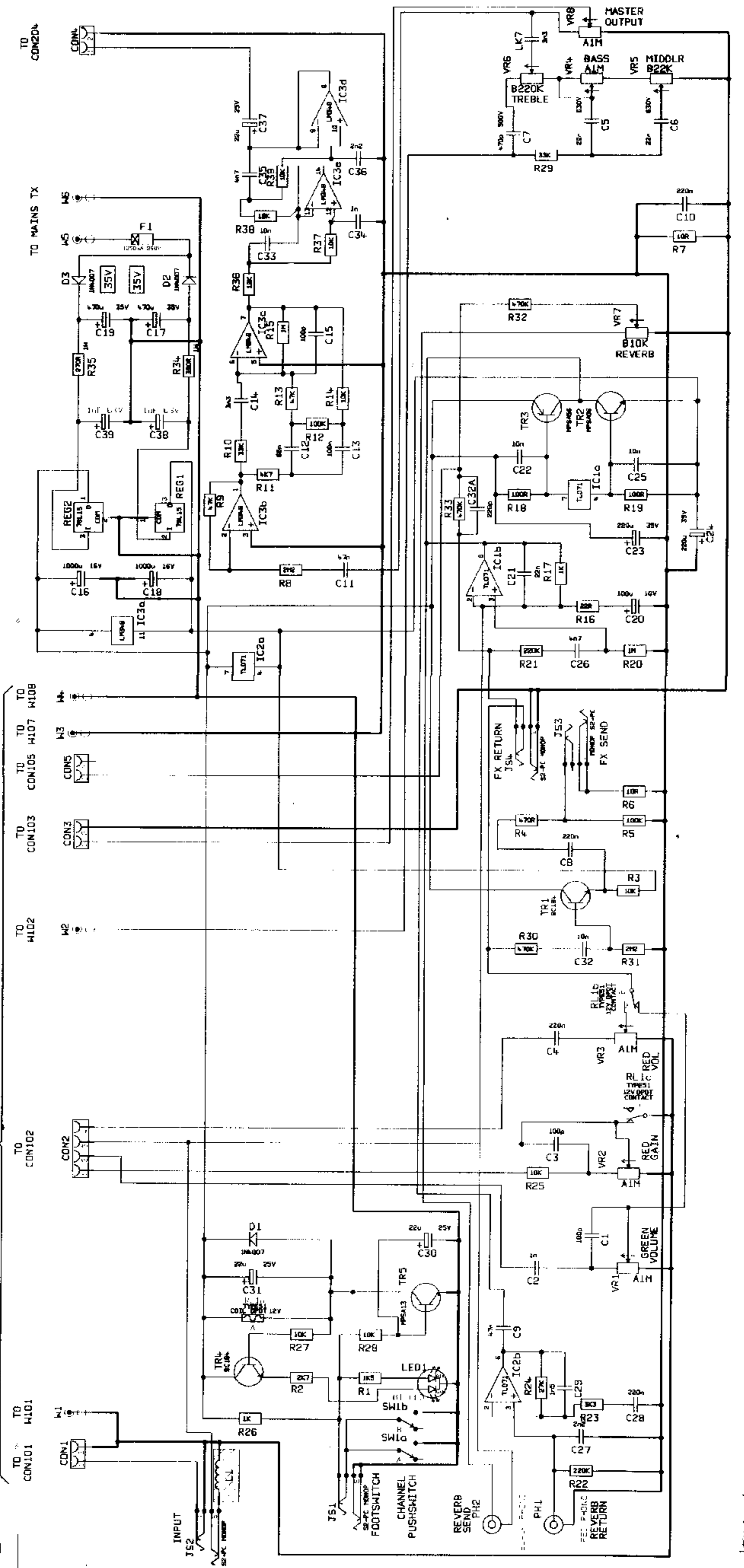
BLOCK DIAGRAM FOR SERVICE REFERENCE ONLY

JTM3-60-02 DWG. No. 1



POWER PCB
CIRCUIT DIAGRAM JTM3-61-02

OUTPUT PCB
CIRCUIT DIAGRAM JTM3-61-02



Marshall

JTM30-A

REV	DATE	BY	CHKD	APP'D
1	05-12-94	C	G	H
2	15/12/94	B	F	H
3	26/8/95	A	E	H
4	30/08/95			

TITLE PRE-AMP BOARD
CIRCUIT DIAGRAM
JTM3-60-02

PAGE 4