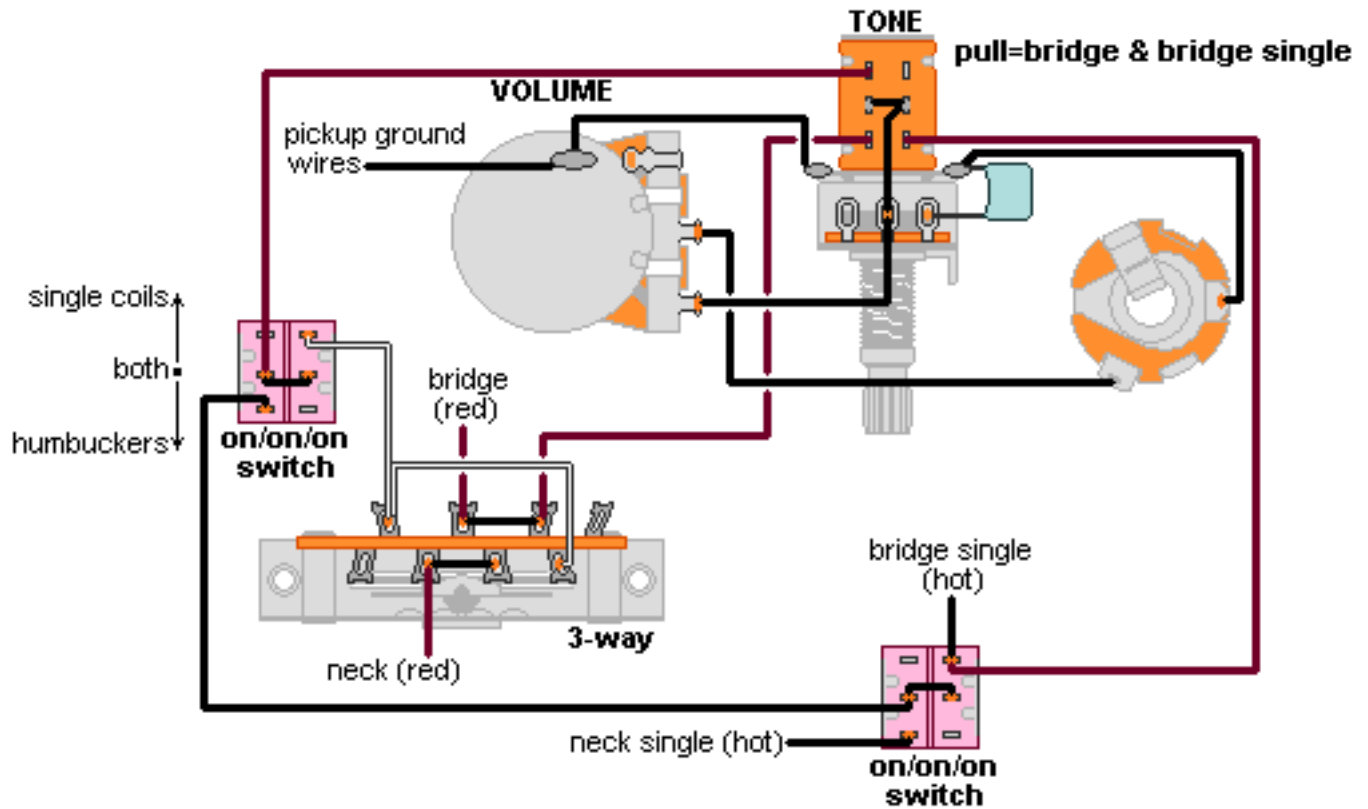


**DiMarzio, Inc.**

1388 Richmond Terrace, PO Box 100387, Staten Island, NY 10310, Tel(718)981-9286, Fax(718)720-5296

## STEVE MORSE GUITAR



For Bridge and Neck, solder the black & white wires together and tape up each connection, green and bare is ground. All other pickup wires not shown or mentioned go to ground.

**Note: Tailpiece should be connected to common ground.  
All grounds  $\perp$  must be connected.**

Copyright (C) 2003 DiMarzio, Inc. All rights reserved