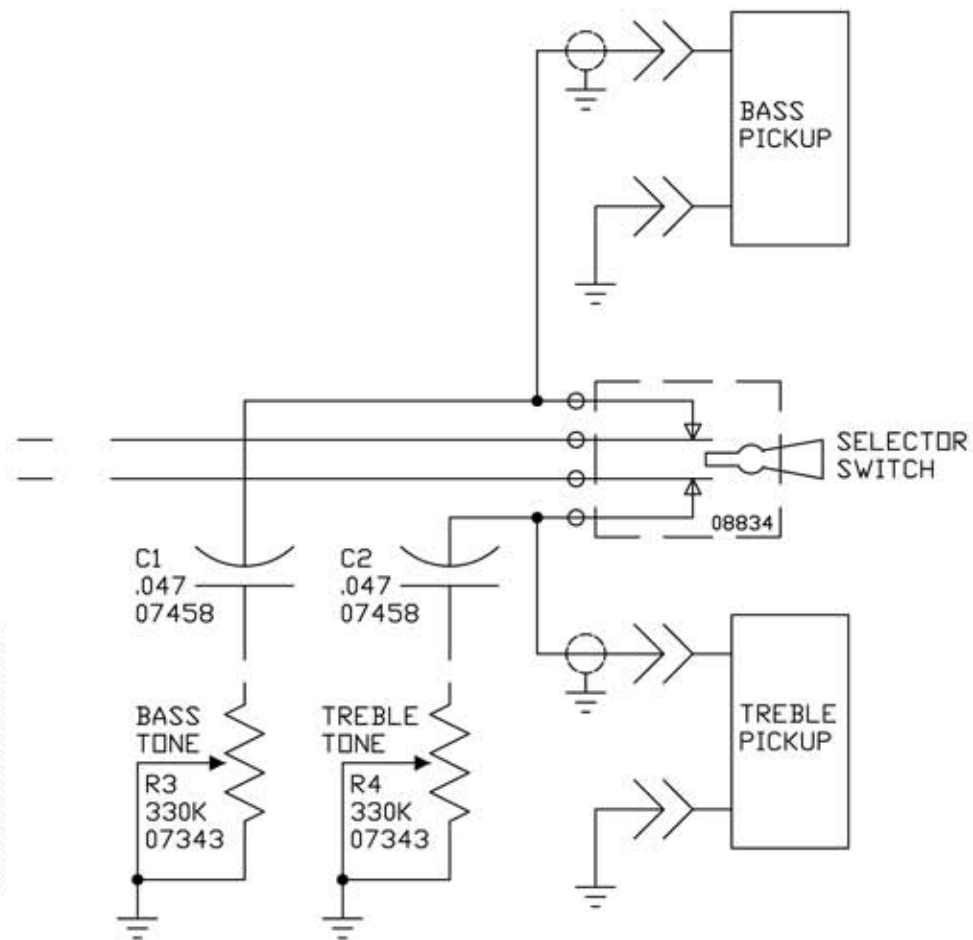
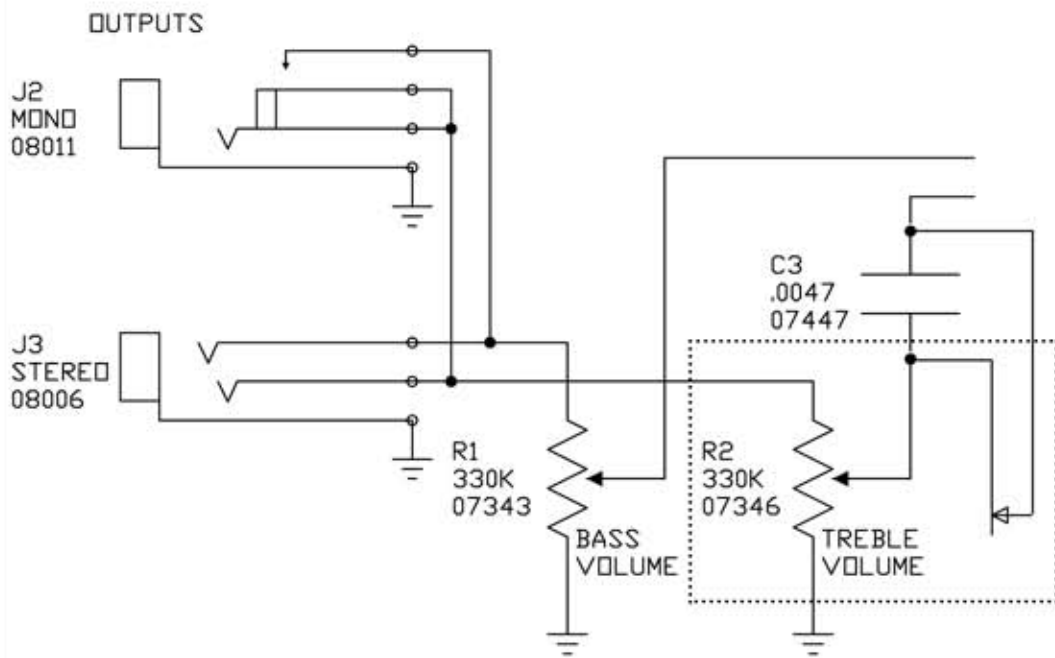


TO
BRIDGE
⏚



APPLICATION:

4003



Rickenbacker International Corp.
3895 S. Main Street
Santa Ana, Ca. 92707
Tel: 714-545-5574 Fax: 714-754-0135

SCHEMATIC, 4 CTL, STEREO

SCALE	NA	CHECKED BY	DRAWN BY
DATE	11/26/90	J. HALL	K. MASCARENHAS
SIZE	Rev 06-01-14	DRAWING NO	
A		19557	